

Contents

American National Standards

Call for Comment on Standards Proposals	2
Call for Members (ANS Consensus Bodies)	12
Final Actions	16
Project Initiation Notification System (PINS)	18
ANS Maintained Under Continuous Maintenance	25
ANSI-Accredited Standards Developers Contact Information	26

International Standards

ISO and IEC Draft Standards	28
ISO and IEC Newly Published Standards	33
Proposed Foreign Government Regulations	35
Information Concerning	36

American National Standards

Call for comment on proposals listed

This section solicits public comments on proposed draft new American National Standards, including the national adoption of ISO and IEC standards as American National Standards, and on proposals to revise, reaffirm or withdraw approval of existing American National Standards. A draft standard is listed in this section under the ANSI-accredited standards developer (ASD) that sponsors it and from whom a copy may be obtained. Comments in connection with a draft American National Standard must be submitted in writing to the ASD no later than the last day of the comment period specified herein. Such comments shall be specific to the section(s) of the standard under review and include sufficient detail so as to enable the reader to understand the commenter's position, concerns and suggested alternative language, if appropriate. Please note that the ANSI Executive Standards Council (ExSC) has determined that an ASD has the right to require that interested parties submit public review comments electronically, in accordance with the developer's procedures.

Ordering Instructions for "Call-for-Comment" Listings

1. **Order from the organization indicated for the specific proposal.**
2. **Use the full identification in your order, including the BSR prefix; for example, Electric Fuses BSR/SAE J554.**
3. **Include remittance with all orders.**
4. **BSR proposals will not be available after the deadline of call for comment.**

Comments should be addressed to the organization indicated, with a copy to the Board of Standards Review, American National Standards Institute, 25 West 43rd Street, New York, NY 10036. Fax: 212-840-2298; e-mail: psa@ansi.org

* Standard for consumer products

Comment Deadline: August 25, 2019

ASME (American Society of Mechanical Engineers)

Revision

BSR/ASME B1.1-201x, Unified Inch Screw Threads (UN and UNR Thread Form) (revision of ANSI/ASME B1.1-2003 (R2018))

This Standard specifies the thread form, series, class, allowance, tolerance, and designation for unified screw threads. Several variations in thread form have been developed for unified threads; however, this Standard covers only UN, UNR, and UNJ thread forms.

[Click here to view these changes in full](#)

Send comments (with optional copy to psa@ansi.org) to: Daniel Papert, (212) 591-7526, papertd@asme.org

CTA (Consumer Technology Association)

Revision

BSR/CTA 2063-A-201x, Small Unmanned Aerial Systems Serial Numbers (revision and redesignation of ANSI/CTA 2063-2017)

To outline the elements and characteristics of a serial number to be used by small unmanned aerial systems.

[Click here to view these changes in full](#)

Send comments (with optional copy to psa@ansi.org) to: Veronica Lancaster, (703) 907-7697, vlancaster@cta.tech

NENA (National Emergency Number Association)

New Standard

BSR/NENA STA-020.1-201X, NENA Standard for 9-1-1 Call Processing (new standard)

This work combines and updates current NENA standards in the areas of: (1) Guidelines for minimum response to wireless 911 calls, (2) Call answering standard/model recommendation, (3) Emergency call processing protocol standard, and (4) Silent or hang-up 911 calls for service (information document).

[Click here to view these changes in full](#)

Send comments (with optional copy to psa@ansi.org) to: Submit comments at https://dev.nena.org/higherlogic/ws/public/document?document_id=16447&wg_id=a99b431f-54dc-4523-ba53-bd171f25e52d

NSF (NSF International)

Revision

BSR/NSF 53-201x (i115r2), Drinking Water Treatment Units - Health Effects (revision of ANSI/NSF 53-2018)

It is the purpose of this Standard to establish minimum requirements for materials, design and construction, and performance of point-of-use and point-of-entry drinking water treatment systems that are designed to reduce specific health-related contaminants in public or private water supplies. Such systems include point-of-entry drinking water treatment systems used to treat all or part of the water at the inlet to a residential facility or a bottled water production facility, and includes the material and components used in these systems. This Standard also specifies the minimum product literature and labeling information that a manufacturer shall supply to authorized representatives and system owners, as well as the minimum service-related obligations that the manufacturer shall extend to system owners.

[Click here to view these changes in full](#)

Send comments (with optional copy to psa@ansi.org) to: mleslie@nsf.org

RESNET (Residential Energy Services Network, Inc.)

New Standard

BSR/RESNET/ICC 1101-201x, Standard for the Calculation and Labeling of the Water Use Performance of One- and Two-Family Dwellings Using the Water Rating Index (new standard)

This Standard provides a consistent, uniform methodology for evaluating, quantifying, and labeling the water-use performance of one- and two-family dwellings. The methodology compares the water-use performance of an actual home (rated home) with the water-use performance of a reference home of the same geometry, resulting in a relative water-use rating called the Water Rating Index (WRI). Where the water-use performance of the actual home and the reference home are equal, the Water Rating Index is 100.

[Click here to view these changes in full](#)

Send comments (with optional copy to psa@ansi.org) to: Comments are submitted via RESNET's online comment form. See the links from "STANDARD AMENDMENTS OUT FOR PUBLIC COMMENT" on webpage: <https://www.resnet.us/about/standards/resnet-ansi/>

UL (Underwriters Laboratories, Inc.)**Revision**

BSR/UL 13-201X, Standard for Power-Limited Circuits Cables (revision of ANSI/UL 13-2018)

Correction of a Reference to -LS, Deletion of Limited Combustible.

[Click here to view these changes in full](#)

Send comments (with optional copy to psa@ansi.org) to: Joshua Johnson, (919) 549-1053, Joshua.Johnson@ul.org

BSR/UL 539-201x, Standard for Safety for Single and Multiple Station Heat Alarms (revision of ANSI/UL 539-2018)

Proposed new abnormal fire operations test for the 7th Edition of UL 539.

[Click here to view these changes in full](#)

Send comments (with optional copy to psa@ansi.org) to: Paul Lloret, (510) 319-4269, Paul.E.Lloret@ul.org

BSR/UL 651-201X, Standard for Schedule 40, 80, Type EB and ARigid PVC Conduit and Fittings (revision of ANSI/UL 651-2018)

(1) Clarifications to Schedule 40 and 80 for use with 90° Wire Performance Testing; (2) Correction to Figure 6.9 3. Clarification of Impact Test after Cold Conditioning, 7.3.6A is for service entrance head style only push-fit fittings.

[Click here to view these changes in full](#)

Send comments (with optional copy to psa@ansi.org) to: Joshua Johnson, (919) 549-1053, Joshua.Johnson@ul.org

BSR/UL 1247-201x, Standard for Diesel Engines for Driving Stationary Fire Pumps (revision of ANSI/UL 1247-2014)

(1) Generator or alternator output current; (2) Revisions to clarify requirements and update test details; (3) Revision to over-current protection criteria; (4) Revision to ECM and switching equipment criteria; (5) High engine temperature alarm delay on engine restarts; (6) Electrically operated speed control for mechanical fuel injected engines.

[Click here to view these changes in full](#)

Send comments (with optional copy to psa@ansi.org) to: Griff Edwards, (919) 549-0956, griff.edwards@ul.org

BSR/UL 2238-201X, Standard for Cable Assemblies and Fittings for Industrial Control and Signal Distribution (revision of ANSI/UL 2238-2018)

(1) Class 2 circuits - accessibility of live parts.

[Click here to view these changes in full](#)

Send comments (with optional copy to psa@ansi.org) to: Joshua Johnson, (919) 549-1053, Joshua.Johnson@ul.org

BSR/UL 8750-201X, Standard for Safety for Light Emitting Diode (LED) Equipment for Use In Lighting Products (Proposal dated 7-26-19) (revision of ANSI/UL 8750-2018)

This Recirculation revises the following topics from the proposal dated 2019-04-19: (3) Special-use LED arrays; (6) Grounding and bonding; and (9) Markings & product specification sheet.

[Click here to view these changes in full](#)

Send comments (with optional copy to psa@ansi.org) to: Ross Wilson, (919) 549-1511, Ross.Wilson@ul.org

BSR/UL 62841-3-4-201x, Standard for Safety for Electric Motor-Operated Hand-Held Tools, Transportable Tools and Lawn and Garden Machinery - Safety - Part 3-4: Particular Requirements for Transportable Bench Grinders (revision of ANSI/UL 62841-3-4-2018)

(1) Proposed revisions to clauses 1 and 2 and addition of new figure 106 to align with changes in IEC Amendment No. 1 for IEC 62841-3-4.

[Click here to view these changes in full](#)

Send comments (with optional copy to psa@ansi.org) to: Elizabeth Northcott, (847) 664-3198, Elizabeth.Northcott@ul.org

BSR/UL 62841-2-11-201x, Standard for Safety for Electric Motor-Operated Hand-Held Tools, Transportable Tools and Lawn and Garden Machinery - Safety - Part 2-11: Particular Requirements for Hand-Held Reciprocating Saws (revision of ANSI/UL 62841-2-11-2017)

This proposal for UL 62841-2-11 covers: (1) Proposed revisions to clauses 19, 20, and 21 to align with changes In IEC Amendment No. 1 of IEC 62841-2-11.

[Click here to view these changes in full](#)

Send comments (with optional copy to psa@ansi.org) to: Elizabeth Northcott, (847) 664-3198, Elizabeth.Northcott@ul.org

Comment Deadline: September 9, 2019

ASSP (ASC A10) (American Society of Safety Professionals)

Revision

BSR/ASSP A10.33-201X, Safety & Health Program Requirements for Multi-Employer Projects (revision and redesignation of ANSI/ASSE A10.33-2011 (R2016))

This standard sets forth the minimum elements and activities of a program that defines the duties and responsibilities of construction employers working on a construction project where multiple employers are engaged in the common undertaking to complete a construction project.

Single copy price: \$100.00

Obtain an electronic copy from: Tim Fisher at TFisher@ASSP.Org

Order from: Tim Fisher, (847) 768-3411, tfisher@assp.org

Send comments (with optional copy to psa@ansi.org) to: Same

ASSP (Safety) (American Society of Safety Professionals)

New Standard

BSR/ASSP Z459.1-201x, Safety Requirements for Rope Access Systems (new standard)

This standard sets forth accepted practices for rope access work. It is applicable for use in any environment where ropes are suspended from or connected to a structure or natural feature and used as the primary means of access, egress, or support and as the primary means of secondary protection against a fall. This standard is not intended to apply to recreational use of ropes or to methods used by professional emergency response personnel, although persons engaged in such activities may benefit from the advice, principles, and practices in this standard. This is the same project as the originally proposed Z359.8 standard, but the committee decided to change the numbering.

Single copy price: \$99.00

Obtain an electronic copy from: OMunteanu@ASSP.org

Send comments (with optional copy to psa@ansi.org) to: OMunteanu@ASSP.org

AWS (American Welding Society)

New Standard

BSR/AWS J1.3M/J1.3-201x, Specification for Materials Used in Resistance Welding Applications (new standard)

This standard specifies essential properties of materials used for resistance welding electrodes and related components, the common applications of these materials, and methods of conformance verification.

Single copy price: \$35.00

Obtain an electronic copy from: mdiaz@aws.org

Order from: Mario Diaz, (305) 443-9353, mdiaz@aws.org

Send comments (with optional copy to psa@ansi.org) to: Same

AWS (American Welding Society)

Revision

BSR/AWS D8.1M-201x, Specification for Automotive Weld Quality Resistance Spot Welding of Steel (revision of ANSI/AWS D8.1M-2013)

This specification defines quality characteristics and metrics pertinent to resistance spot welds on steels used in automotive applications. The evaluation methods and inspection criteria specified in this standard can be used to evaluate the effectiveness of particular welding equipment and procedures used to weld a particular base material combination. The criteria and metrics are the same for all welds regardless of the service load.

Single copy price: \$25.00

Obtain an electronic copy from: mdiaz@aws.org

Order from: Mario Diaz, (305) 443-9353, mdiaz@aws.org

Send comments (with optional copy to psa@ansi.org) to: Same

AWWA (American Water Works Association)***New Standard***

BSR/AWWA C6BB-201x, Pipe Bursting of Potable Water Mains 4-In. to 36-In. (new standard)

This standard describes the materials and procedures for rehabilitation of existing potable water pipelines 4 in. (100 mm) to 36 in. (915 mm) in diameter using pipe bursting. Potable-water pipeline materials that can be pipe burst include asbestos cement, cast iron, ductile iron, fiberglass, high-density polyethylene (HDPE), poly(vinyl chloride) (PVC), plastic, reinforced concrete, and steel.

Single copy price: Free

Obtain an electronic copy from: ETSsupport@awwa.org

Order from: AWWA, Vicki David, vdavid@awwa.org

Send comments (with optional copy to psa@ansi.org) to: Paul Olson, polson@awwa.org

BICSI (Building Industry Consulting Service International)***New Standard***

BSR/BICSI N3-201x, Planning and Installation Methods for the Bonding and Grounding of Telecommunication and ICT Systems and Infrastructure (new standard)

This standard specifies aspects of planning and installation of bonding and grounding systems for telecommunications and ICT systems and infrastructure within a customer premises. Proper planning and installation provide for effective and optimal system performance of the bonding and grounding system, allowing the system to meet its objective in preventing damage to people or assets.

Single copy price: Free

Obtain an electronic copy from: jsilveira@bicsi.org

Send comments (with optional copy to psa@ansi.org) to: Same

BICSI (Building Industry Consulting Service International)***Revision***

BSR/BICSI 006-201x, Distributed Antenna System (DAS) Design and Implementation Best Practices (revision of ANSI/BICSI 006-2015)

This standard provides industry and service provider neutral requirements and acceptable best practices for the design and installation of a DAS. For brevity, as used in this document, the terms “distributed antenna system” or “DAS” includes other in-building wireless and similar systems, such as radiating cable and small cell networks.

Single copy price: Free

Obtain an electronic copy from: jsilveira@bicsi.org

Send comments (with optional copy to psa@ansi.org) to: Same

CTA (Consumer Technology Association)***New Standard***

BSR/CTA 2085-201x, Definitions and Characteristics for VR Video and VR Images (new standard)

This document defines the definitions and characteristics for VR Video, and VR Images, which are still or moving imagery captured and formatted explicitly as separate left- and right-eye images; usually intended for display in a VR headset. More specifically, this document will explore the technical processes and hardware and software techniques behind the creation and delivery of VR Video/VR Images.

Single copy price: Free

Obtain an electronic copy from: standards@cta.tech

Order from: Veronica Lancaster, (703) 907-7697, vlancaster@cta.tech

Send comments (with optional copy to psa@ansi.org) to: Same

ECIA (Electronic Components Industry Association)**Reaffirmation**

BSR/EIA 971-2014 (R201x), 4 mm Embossed Carrier Taping of Micro-Sized Surface Mount Components for Automatic Handling (reaffirmation of ANSI/EIA 971-2014)

This Standard covers requirements for taping micro-sized surface mount components onto embossed carrier tape 4 mm wide and with 1-mm pocket pitch.

Single copy price: \$86.00

Order from: Global Engineering Documents, (800) 854-7179, www.global.ihs.com

Send comments (with optional copy to psa@ansi.org) to: emikoski@ecianow.org

IAPMO (ASSE Chapter) (ASSE International Chapter of IAPMO)**New Standard**

BSR/ASSE 1014-201x, Performance Requirements for Backflow Prevention Devices for Hand-Held Showers (new standard)

These devices provide backflow protection against back-siphonage and back-pressure in hand-held showers. These are separate devices or are integral with hand-held showers, tub fillers, flexible hoses, or components that are attached to a shower system. Devices include two independently acting check valves in series or a check valve in series with a vacuum breaker feature.

Single copy price: Free

Obtain an electronic copy from: <http://www.iapmo.org/media/22062/1014-draft-c1-12jul19-pr.pdf>

Send comments (with optional copy to psa@ansi.org) to: staffengineer@asse-plumbing.org. State "PR1014" in the subject line.

BSR/ASSE 1020-201x, Performance Requirements for Pressure Vacuum Breaker Assembly (new standard)

Pressure vacuum breaker assemblies are for installation in water-supply lines to prevent the entrance of non-potable material into the potable water supply by back-siphonage only. It is not for use in any system where back-pressure can be applied to the device. It is intended for use in both high- and low-hazard applications.

Single copy price: Free

Obtain an electronic copy from: <http://www.iapmo.org/media/22061/1020-2019-draft-pr-17jun19.pdf>

Send comments (with optional copy to psa@ansi.org) to: staffengineer@asse-plumbing.org. State "PR1020" in the subject line.

BSR/ASSE 1066-201x, Performance Requirements for Individual Pressure Balancing In-Line Valves for Individual Fixture Fittings (new standard)

This standard applies to automatic pressure balancing in-line valves for individual fixture fittings, which are used to equalize incoming hot- and cold-water line pressures for the purpose of minimizing mixed water temperature variations due to pressure fluctuations when used in conjunction with a mixing valve or two handle valve set. They are not designed to limit the maximum outlet temperature at the point-of-use. These devices are intended for use with individual plumbing fixture fittings such as shower heads and bath, utility, sink, and lavatory faucets.

Single copy price: Free

Obtain an electronic copy from: <http://www.iapmo.org/media/22072/1066-2019-pr-draft-b1-23apr19.pdf>

Send comments (with optional copy to psa@ansi.org) to: staffengineer@asse-plumbing.org. State "PR1066" in the subject line.

BSR/ASSE 1069-201x, Performance Requirements for Automatic Temperature Control Mixing Valves (new standard)

These devices are intended to control the water temperature to individual or multiple fixtures to reduce the risk of scalding and thermal shock. Shut-off valves(s) downstream of the device shall be permitted. These devices are intended to be installed where the bather has no access to the temperature adjustment means, and where no further mixing occurs downstream of the device. The device is intended to be the final temperature control.

Single copy price: Free

Obtain an electronic copy from: <http://www.iapmo.org/media/22067/1069-2019-pr-30may19.pdf>

Send comments (with optional copy to psa@ansi.org) to: staffengineer@asse-plumbing.org. State "PR1069" in the subject line.

BSR/ASSE 1072-201x, Performance Requirements for Barrier Type Floor Drain Trap Seal Protection Devices (new standard)

This standard establishes physical requirements, performance requirements, and test procedures for barrier-type floor drain trap seal protection devices. These devices are designed to help protect the floor drain trap seal of floor drains that comply with ASME A112.6.3 by minimizing evaporation. The purpose of this device is to minimize the evaporation of the trap seal for the floor drain. The device will open to allow the flow of drainage and close when there is no flow.

Single copy price: Free

Obtain an electronic copy from: <http://www.iapmo.org/media/22063/1072-201x-draft-pr-22may19.pdf>

Send comments (with optional copy to psa@ansi.org) to: staffengineer@asse-plumbing.org. State "PR1072" in the subject line.

IES (Illuminating Engineering Society)

Addenda

BSR/IES TM-30-18 Addendum 1-201x, IES Method for Evaluating Light Sources Color Rendition (addenda to ANSI/IES TM-30-2018)

Addendum 1 includes Annex D, Templates; Annex E, Recommendations for Specifying Light Source Color Rendition; and Annex F, Evidence Supporting Recommended Criteria for Specifying Light Source Color Rendition.

Single copy price: \$25.00

Obtain an electronic copy from: pmcgillicuddy@ies.org

Order from: Patricia McGillicuddy, (917) 913-0027, pmcgillicuddy@ies.org

Send comments (with optional copy to psa@ansi.org) to: Same

IES (Illuminating Engineering Society)

Revision

BSR/IES RP-1-201x, Recommended Practice: Lighting Office Spaces (revision of ANSI/IES RP-1-2013)

For many people, the office is the environment where they spend the majority of their waking adult lives. The expectation is that the time spent in the office will be useful and productive, and that the physical environment will be healthy. The design of the office greatly influences how well the space meets the needs of the workers and their organization. Lighting is a critical element of the design that may enhance or degrade the work experience and affect the well-being of the workers. Beyond supporting worker performance, lighting may also affect the bottom line of the organization by making the best use possible of materials and electricity.

Single copy price: \$25.00

Obtain an electronic copy from: pmcgillicuddy@ies.org

Order from: Patricia McGillicuddy, (917) 913-0027, pmcgillicuddy@ies.org

Send comments (with optional copy to psa@ansi.org) to: Same

MHI (Material Handling Industry)

Reaffirmation

BSR MH16.1-2012 (R201x), Specification for the Design, Testing and Utilization of Industrial Steel Storage Racks (reaffirmation of ANSI MH16.1-2012)

This standard applies to industrial steel storage racks, movable-shelf racks, rack-supported systems and automated storage and retrieval systems (stacker racks) made of cold-formed or hot-rolled steel structural members. Such rack types also include push-back rack, pallet-flow rack, case-flow rack, pick modules, and rack-supported platforms. This standard is intended to be applied to the design of the storage rack portion of any rack structure that acts as support for the exterior walls and roof, except as noted. It does not apply to other types of racks, such as drive-in or drive-through racks, cantilever racks, portable racks, or to racks made of material other than steel.

Single copy price: \$150.00

Obtain an electronic copy from: www.mhi.org

Order from: Patrick Davison, (704) 714-8755, pdavison@mhi.org

Send comments (with optional copy to psa@ansi.org) to: Same

NEMA (ASC C12) (National Electrical Manufacturers Association)

Reaffirmation

BSR C12.11-2006 (R201x), Instrument Transformers for Revenue Metering 10kV BIL through 350 kV BIL (0.6 kV NSV through 69 kV NSV) (reaffirmation of ANSI C12.11-2006 (R2014))

Covers the general requirements, metering accuracy, thermal ratings, and dimensions applicable to current and inductively coupled voltage transformers for revenue metering.

Single copy price: \$285.00

Obtain an electronic copy from: pau_orr@nema.org

Send comments (with optional copy to psa@ansi.org) to: Same

NEMA (ASC C8) (National Electrical Manufacturers Association)

Revision

BSR ICEA S-110-717-201x, Standard for Optical Fiber Drop Cable (revision of ANSI/ICEA S-110-717-2013)

This Standard covers optical-fiber communications cables intended for use in outdoor and/or indoor/outdoor optical fiber drop applications. Materials, construction, and performance requirements are included in this Standard, together with applicable test procedures.

Single copy price: \$191.00

Obtain an electronic copy from: khaled.masri@nema.org

Order from: Communications@nema.org

Send comments (with optional copy to psa@ansi.org) to: khaled.masri@nema.org

BSR/NEMA WC 66/ICEA S-166-732-201x, Standard for Category 6 and 6A, 100 Ohm Individually, Unshielded Twisted Pairs, Indoor Cables (with or without an Overall Shield) for Use in LAN Communication Wire Systems (revision of ANSI/NEMA WC 66/ICEA S-116-732-2013)

This Standard covers mechanical, electrical, and flammability requirements for thermoplastic insulated and jacketed, copper conductor, individually unshielded twisted pairs, with or without overall shield intended for use as horizontal cables, backbone cables, or in the manufacture of patch cords. Depending upon the application and system requirements, this Standard provides choices for materials and flammability ratings.

Single copy price: \$91.00

Obtain an electronic copy from: gerard.winstanley@nema.org

Order from: Communications@nema.org

Send comments (with optional copy to psa@ansi.org) to: gerard.winstanley@nema.org

TIA (Telecommunications Industry Association)

Revision

BSR/TIA 102.CAAA-F-201x, Digital C4FM/CQPSK Transceiver Measurement Methods (revision and redesignation of ANSI/TIA 102.CAAA-E-2016)

This revision will provide updates to make general clarifications, modify signal-generator VSWR specifications and add the High Signal Strength Intermodulation test.

Single copy price: \$281.00

Obtain an electronic copy from: standards@tiaonline.org

Order from: TIA; standards@tiaonline.org

Send comments (with optional copy to psa@ansi.org) to: Same

UL (Underwriters Laboratories, Inc.)

Reaffirmation

BSR/UL 644-2014 (R201x), Standard for Safety for Container Assemblies for LP-Gas (reaffirmation of ANSI/UL 644-2014)

These requirements cover aboveground, underground, and interchangeable (aboveground or underground) stationary container assemblies for liquefied petroleum gases which include any material having a vapor pressure not exceeding that allowed for commercial propane composed predominately of the following hydrocarbons, either by themselves or as mixtures: propane, propylene, butane (normal butane or isobutane), and butylenes. These container assemblies are provided with tanks constructed under the appropriate provisions of the current edition of the Boiler and Pressure Vessel Code of the American Society of Mechanical Engineers (ASME). Container assemblies covered by these requirements are those using fuel storage tanks having a water capacity of 4000 gallons (15.14 m³) or less and designed and used only for delivery of fuel in the gaseous phase, but they may also incorporate a liquid take-off in addition to a vapor take-off.

Single copy price: Free

Obtain an electronic copy from: <https://csds.ul.com/Home/ProposalsDefault.aspx>

Order from: <http://www.shopulstandards.com>

Send comments (with optional copy to psa@ansi.org) to: Follow the instructions in the following website to enter comments into the CSDS Work Area: <https://csds.ul.com/Home/ProposalsDefault.aspx>

UL (Underwriters Laboratories, Inc.)

Revision

BSR/UL 122-201x, Photographic Equipment (revision of ANSI/UL 122-2007 (R2015))

These requirements cover electrically operated, cord-connected photographic equipment rated 300 V or less, and permanently connected photographic equipment rated 600 volts or less, intended for household or commercial use on interior wiring systems in accordance with the National Electrical Code, NFPA 70. These requirements also cover battery-powered photographic equipment involving a risk of fire or electric shock.

Single copy price: Free

Obtain an electronic copy from: <https://csds.ul.com/Home/ProposalsDefault.aspx>

Order from: <http://www.shopulstandards.com>

Send comments (with optional copy to psa@ansi.org) to: Follow the instructions in the following website to enter comments into the CSDS Work Area: <https://csds.ul.com/Home/ProposalsDefault.aspx>

BSR/UL 497A-201x, Secondary Protectors for Communication Circuits (revision of ANSI/UL 497A-2004 (R2017))

These requirements cover secondary protectors for use in single- or multiple-pair-type communications circuits that are intended to be installed in accordance with Article 800 of the National Electrical Code, ANSI/NFPA 70. Secondary protectors are intended to be used in the protected side of telecommunications networks that have an operating rms voltage-to-ground less than 150 volts and installed or used in accordance with the National Electrical Code, NFPA 70.

Single copy price: Free

Obtain an electronic copy from: <https://csds.ul.com/Home/ProposalsDefault.aspx>

Order from: <http://www.shopulstandards.com>

Send comments (with optional copy to psa@ansi.org) to: Follow the instructions in the following website to enter comments into the CSDS Work Area: <https://csds.ul.com/Home/ProposalsDefault.aspx>

BSR/UL 1419-201x, Standard for Professional Video and Audio Equipment (revision of ANSI/UL 1419-2011 (R2016))

These requirements cover video and audio equipment operated and maintained by trained personnel under the conditions of controlled access. These requirements cover such equipment as video tape recorders, audio/video editing equipment, audio/video receiving and processing equipment, signal transmission equipment, television cameras, video digitizers, video monitors, metering equipment and similar equipment. This Standard also covers auxiliary equipment and accessories which by themselves may not perform the desired function of the equipment outlined in this scope but are used in addition to or as a supplement to the basic equipment (remote controls, convertors, stands, etc.). These requirements cover equipment rated 600 volts or less for use in accordance with the National Electrical Code, ANSI/NFPA 70.

Single copy price: Free

Obtain an electronic copy from: <https://csds.ul.com/Home/ProposalsDefault.aspx>

Order from: <http://www.shopulstandards.com>

Send comments (with optional copy to psa@ansi.org) to: Follow the instructions in the following website to enter comments into the CSDS Work Area: <https://csds.ul.com/Home/ProposalsDefault.aspx>

BSR/UL 1863-201x, Standard for Communications-Circuit Accessories (revision of ANSI/UL 1863-2012 (R2016))

These requirements cover telecommunications-circuit accessories, such as jack-and-plug assemblies, quick-connect terminal assemblies, telephone wall plates, telephone extension cords, cross-connect terminal-block assemblies, maintenance terminal modules, terminal enclosures, cable-splice enclosures, network-interface devices, wire-guide assemblies, and connector boxes. These devices are intended to be used in telecommunications networks that have an operating root-mean-square (rms) voltage to ground less than 150 volts and installed or used in accordance with the National Electrical Code, ANSI/NFPA 70.

Single copy price: Free

Obtain an electronic copy from: <https://csds.ul.com/Home/ProposalsDefault.aspx>

Order from: <http://www.shopulstandards.com>

Send comments (with optional copy to psa@ansi.org) to: Follow the instructions in the following website to enter comments into the CSDS Work Area: <https://csds.ul.com/Home/ProposalsDefault.aspx>

BSR/UL 2227-201x, Standard for Safety for Overfilling Prevention Devices (revision of ANSI/UL 2227-2014)

The following is being proposed: Revision to the 10-Day Moist Ammonia test.

Single copy price: Free

Obtain an electronic copy from: <https://csds.ul.com/Home/ProposalsDefault.aspx>

Order from: <http://www.shopulstandards.com>

Send comments (with optional copy to psa@ansi.org) to: Follow the instructions in the following website to enter comments into the CSDS Work Area: <https://csds.ul.com/Home/ProposalsDefault.aspx>

BSR/UL 2416-201x, Standard for Audio/Video, Information and Communication Technology Equipment Cabinet, Enclosure and Rack Systems (revision of ANSI/UL 2416-2015)

This Standard covers requirements for audio/video, information, and communication technology equipment cabinet, enclosure, and rack systems. For the purpose of this Standard, cabinet, enclosure, and rack systems are all referred to as "enclosure systems." Enclosure systems are not complete equipment but include components and sub-assemblies that are intended to power, protect, heat, cool, or otherwise support information technology (IT), telecommunications, audio/video (A/V), and similar equipment that will be installed at a later time. They usually include mounting hardware, shelves, or space for the installation of the additional equipment. These enclosure systems are intended to be used by manufacturers in the construction of complete A/V, IT, and communications equipment, or by service providers and other qualified installers for the installation of network infrastructure equipment or communications and multi-media systems equipment.

Single copy price: Free

Obtain an electronic copy from: <https://csds.ul.com/Home/ProposalsDefault.aspx>

Order from: <http://www.shopulstandards.com>

Send comments (with optional copy to psa@ansi.org) to: Follow the instructions in the following website to enter comments into the CSDS Work Area: <https://csds.ul.com/Home/ProposalsDefault.aspx>

Comment Deadline: September 24, 2019

Reaffirmations and withdrawals available electronically may be accessed at: webstore.ansi.org

ANS (American Nuclear Society)

New Standard

BSR/ANS 3.14-201x, Process for Infrastructure Aging Management and Life Extension of Non-Reactor Nuclear Facilities (new standard)

This standard addresses requirements for systematically evaluating SSCs for extending the life of nonreactor nuclear facilities. This standard provides a systematic process to determine the scope of the aging management/life extension program in terms of SSCs. For those SSCs, a process for the evaluation of remaining lifetime and determining the need for additional analysis, repairs, inspections, surveillance, testing, and spare part obsolescence will be developed.

Single copy price: \$25.00

Obtain an electronic copy from: orders@ans.org

Order from: orders@ans.org

Send comments (with optional copy to psa@ansi.org) to: pschroeder@ans.org

Projects Withdrawn from Consideration

In accordance with clause 4.2.1.3.3 Discontinuance of a standards project of the ANSI Essential Requirements, an accredited standards developer may abandon the processing of a proposed new or revised American National Standard or portion thereof if it has followed its accredited procedures. The following projects have been withdrawn accordingly:

ASA (ASC S12) (Acoustical Society of America)

BSR/ASA S12.9-201x/Part 9, Quantities and Procedures for Description and Measurement of Environmental Sound, Part 9: Quantification of the Effects of Acoustic Immissions from Wind Turbines (new standard)

Inquiries may be directed to Caryn Mennigke, (631) 390-0215, asastds@acousticalsociety.org

Call for Members (ANS Consensus Bodies)

Directly and materially affected parties who are interested in participating as a member of an ANS consensus body for the standards listed below are requested to contact the sponsoring standards developer directly and in a timely manner.

AAMI (Association for the Advancement of Medical Instrumentation)

Office: 901 N. Glebe Road, Suite 300
Arlington, VA 22203
Contact: Cliff Bernier
Phone: (703) 253-8263
E-mail: cbernier@aami.org

BSR/AAMI RD47-201x, Reprocessing of hemodialyzers (revision of ANSI/AAMI RD47-2008 (R2013))

AARST (American Association of Radon Scientists and Technologists)

Office: 527 Justice Street
Hendersonville, NC 28739
Contact: Gary Hodgden
Phone: (202) 830-1110
E-mail: StandardsAssist@gmail.com

BSR/AARST SG-OMM-201x, Long-Term Stewardship of Radon and Soil Gas Hazards (new standard)

ASSP (ASC A10) (American Society of Safety Professionals)

Office: 520 N. Northwest Highway
Park Ridge, IL 60068
Contact: Tim Fisher
Phone: (847) 768-3411
E-mail: TFisher@ASSP.org

BSR/ASSP A10.33-201X, Safety & Health Program Requirements for Multi-Employer Projects (revision and redesignation of ANSI/ASSE A10.33-2011 (R2016))

CTA (Consumer Technology Association)

Office: 1919 South Eads Street
Arlington, VA 22202
Contact: Veronica Lancaster
Phone: (703) 907-7697
E-mail: vlancaster@cta.tech

BSR/CTA 2063-A-201x, Small Unmanned Aerial Systems Serial Numbers (revision and redesignation of ANSI/CTA 2063-2017)

BSR/CTA 2085-201x, Definitions and Characteristics for VR Video and VR Images (new standard)

DirectTrust (DirectTrust.org, Inc.)

Office: P.O. Box 2885
Blairsville, GA 30514
Contact: Natasha Kreisle
Phone: (404) 452-4962
E-mail: Natasha.Kreisle@DirectTrust.org

BSR/DIRECTTRUST DS201902v01-201x, Trusted Instant Messaging (TIM+) (new standard)

Call for DirectTrust Standards Members DS2019_02

Trusted Instant Messaging+ (TIM+) defines a protocol that facilitates real-time communication and incorporates secure messaging concepts to ensure information is transmitted securely between known, trusted entities both within and across enterprises. TIM+ will determine the availability or presence of trusted endpoints and support text-based communication and file transfers.

DirectTrust Standards is currently looking for members in the following categories:

- (a) Healthcare providers or provider organizations*
- (b) Payers*
- (c) Healthcare Administrative staff*
- (d) Governmental agencies*
- (e) Non-profit organizations*
- (f) Patient or consumer advocates*
- (g) Information Technology Companies*
- (h) Interoperability and Systems Integration Companies*
- (i) General interest.*

If you are interested in joining the DS2019_02 contact standards@directtrust.org.

ECIA (Electronic Components Industry Association)

Office: 13873 Park Center Road
Suite 315
Herndon, VA 20171
Contact: Laura Donohoe
Phone: (571) 323-0294
E-mail: ldonohoe@ecianow.org

BSR/EIA 971-2014 (R201x), 4 mm Embossed Carrier Taping of Micro-Sized Surface Mount Components for Automatic Handling (reaffirmation of ANSI/EIA 971-2014)

IES (Illuminating Engineering Society)

Office: 120 Wall Street, Floor 17
New York, NY 10005
Contact: Patricia McGillicuddy
Phone: (917) 913-0027
E-mail: pmcgillicuddy@ies.org

BSR/IES LM-80-2015 (R201x), Approved Method: Measuring Luminous Flux and Color Maintenance of LED Packages, Arrays and Modules (reaffirmation of ANSI/IES LM-80-2015)

BSR/IES RP-1-201x, Recommended Practice: Lighting Office Spaces (revision of ANSI/IES RP-1-2013)

BSR/IES RP-28-201x, Recommended Practice: Lighting and the Visual Environment for Older Adults and the Visually Impaired (revision and redesignation of ANSI/IES RP-28-2016)

BSR/IES TM-30-18 Addendum 1-201x, IES Method for Evaluating Light Sources Color Rendition (addenda to ANSI/IES TM-30-2018)

NECA (National Electrical Contractors Association)

Office: 3 Bethesda Metro Center
Suite 1100
Bethesda, MD 20814
Contact: Aga Golriz
Phone: (301) 215-4549
E-mail: Aga.golriz@necanet.org

BSR/NECA 101-201x, Standard for Installing Steel Conduits (RMC, IMC, EMT) (revision of ANSI/NECA 101-2006 (R2013))

BSR/NECA/EGSA 404-201x, Standard for Installing Generator Sets (revision and redesignation of ANSI/NECA 404-2014)

NSF (NSF International)

Office: 789 N. Dixboro Road
Ann Arbor, MI 48105-9723
Contact: Monica Leslie
Phone: (734) 827-5643
E-mail: mleslie@nsf.org

BSR/NSF 53-201x (i115r2), Drinking Water Treatment Units - Health Effects (revision of ANSI/NSF 53-2018)

TIA (Telecommunications Industry Association)

Office: 1320 North Courthouse Road
Suite 200
Arlington, VA 22201
Contact: Teesha Jenkins
Phone: (703) 907-7706
E-mail: standards@tiaonline.org

BSR/TIA 102.CAAA-F-201x, Digital C4FM/CQPSK Transceiver Measurement Methods (revision and redesignation of TIA 102.CAAA-E-2016)

UL (Underwriters Laboratories, Inc.)

Office: 47173 Benicia Street
Fremont, CA 94538
Contact: Paul Lloret
Phone: (510) 319-4269
E-mail: Paul.E.Lloret@ul.org

BSR/UL 539-201x, Standard for Safety for Single and Multiple Station Heat Alarms (revision of ANSI/UL 539-2018)

Call for Members (ANS Consensus Bodies)

Call for Members

LEO (Leonardo Academy)

Office: 1526 Chandler Street
Madison WI 53711

Contact: Michael Arny

Phone: 608-346-5199

E-mail: MichaelArny@LeonardoAcademy.org

BSR/LEO 3000-201x, Climate Accounting Standard

This is a climate accounting standard.

This specification standard will provide a radiative forcing-based climate accounting protocol, which is an application of IPCC consensus climate science presented in the Fifth Assessment Report (AR5), and used in subsequent reports, including the IPCC's Special Report: Global Warming of 1.5 degrees C. This protocol is intended to specify the methods for calculating climate footprints which include all known contributors to net positive radiative forcing, for determining the scale of radiative forcing reduction needed to stabilize climate, and for identifying and supporting projects aimed at stabilizing the global climate system significantly below +1.5 degrees C by 2030 and in decades to come. It will also specify the requirements for validation and verification of claims. Finally, it will describe potential funding mechanisms to achieve stabilization goals most cost-effectively, including direct investments in eligible Radiative Forcing reduction projects and infrastructure, governmental and market incentives, and public mitigation exchange platforms.

Are you interested in contributing to the development, maintenance and pilot testing of this standard?

LEO is currently looking for LEO 3000 committee members in the following categories:

- * User
- * Producer
- * Environmentalist
- * Government & Academic
- * General Interest

If you are interested in participating, contact LEO, MichaelArny@LeonardoAcademy.org.

Call for Members (ANS Consensus Bodies)

Call for Committee Members

ASC O1 – Safety Requirements for Woodworking Machinery

Are you interested in contributing to the development and maintenance of valuable industry safety standards? The ASC O1 is currently looking for members in the following categories:

- General Interest
- Government
- Producer
- User

If you are interested in joining the ASC O1, contact WMMA Associate Director Jennifer Miller at jennifer@wmma.org.

Final Actions on American National Standards

The standards actions listed below have been approved by the ANSI Board of Standards Review (BSR) or by an ANSI-Audited Designator, as applicable.

ACCT (Association for Challenge Course Technology)

Revision

ANSI/ACCT 03-2019, Challenge Course and Canopy/Zip Line Tours Standards (revision of ANSI/ACCT 03-2016): 7/18/2019

ASME (American Society of Mechanical Engineers)

New Standard

ANSI/ASME PTC 47.2-2019, Performance Test Code of the Gasification Block of an Integrated Gasification Combined Cycle Power Plant (new standard): 7/19/2019

Reaffirmation

ANSI/ASME PTC 12.4-1992 (R2019), Moisture Separator Reheaters (reaffirmation of ANSI/ASME PTC 12.4-1992 (R2014)): 7/19/2019

Revision

ANSI/ASME B31.4-2019, Pipeline Transportation Systems for Liquids and Slurries (revision of ANSI/ASME B31.4-2016): 7/18/2019

ANSI/ASME V&V 10-2019, Standard for Verification and Validation in Computational Solid Mechanics (revision of ANSI/ASME V&V 10-2006 (R2016)): 7/23/2019

ASTM (ASTM International)

Revision

ANSI/ASTM E1725-2019a, Test Methods for Fire Tests of Fire-Resistive Barrier Systems for Electrical System Components (revision of ANSI/ASTM E1725-2014): 7/15/2019

ATIS (Alliance for Telecommunications Industry Solutions)

Revision

ANSI/ATIS 0100523-2019, ATIS Telecom Glossary (revision of ANSI/ATIS 0100523-2011): 7/19/2019

AWWA (American Water Works Association)

Reaffirmation

ANSI/AWWA D130-2011 (R2019), Geomembrane Materials for Potable Water Applications (reaffirmation of ANSI/AWWA D130-2011): 7/19/2019

Revision

ANSI/AWWA B453-2019, Polyacrylamide (revision of ANSI/AWWA B453-2013): 7/19/2019

ANSI/AWWA C153/A21.53-2019, Ductile-Iron Compact Fittings (revision of ANSI/AWWA C153/A21.53-2011): 7/19/2019

CSA (CSA America Standards Inc.)

Reaffirmation

ANSI Z21.41-2014 (R2019), Quick disconnect devices for use with gas fuel appliances (same as CSA 6.9-2014) (reaffirmation of ANSI Z21.41-2014): 7/19/2019

Revision

ANSI Z21.88-2019, Vented gas fireplace heaters (same as CSA 2.33) (revision and redesignation of ANSI Z21.88-2017): 7/22/2019

HL7 (Health Level Seven)

Reaffirmation

ANSI/HL7 RLUS, R1-2013 (R2019), HL7 Version 3 Standard: Retrieve, Locate, and Update Service (RLUS), Release 1 (reaffirmation of ANSI/HL7 RLUS, R1-2013): 7/19/2019

ANSI/HL7 V3 RXMEDORDER, R2-2014 (R2019), HL7 Version 3 Standard: Pharmacy; Medication Order, Release 2 (reaffirmation of ANSI/HL7 V3 RXMEDORDER, R2-2014): 7/19/2019

IAPMO (ASSE Chapter) (ASSE International Chapter of IAPMO)

New Standard

ANSI/ASSE 1093-2019/WSC PAS-97-2019, Performance Requirements for Pitless Adapters, Pitless Units, and Well Caps (new standard): 7/19/2019

IEEE (ASC C63) (Institute of Electrical and Electronics Engineers)

Reaffirmation

ANSI/IEEE C63.18-2014 (R2019), Standard Recommended Practice for an On-Site, Ad Hoc Test Method for Estimating Electromagnetic Immunity of Medical Devices to Radiated Radio-Frequency (RF) Emissions from RF Transmitters (reaffirmation of ANSI/IEEE C63.18-2014): 7/22/2019

NCPDP (National Council for Prescription Drug Programs)

Revision

ANSI/NCPDP Benefit Integration Standard v15-2019, NCPDP Benefit Integration Standard v15 (revision and redesignation of ANSI/NCPDP Benefit Integration Standard v14-2019): 7/19/2019

ANSI/NCPDP MR v07.03-2019, NCPDP Manufacturer Rebate Utilization, Plan, Formulary, Market Basket, and Reconciliation Flat File Standard v07.03 (revision and redesignation of ANSI/NCPDP MR v07.02-2018): 7/19/2019

ANSI/NCPDP PA Transfer v24-2019, NCPDP Prior Authorization Transfer Standard v24 (revision and redesignation of ANSI/NCPDP PA Transfer v23-2019): 7/19/2019

ANSI/NCPDP PDMP Reporting Standard v11-2019, NCPDP Prescription Drug Monitoring Programs (PDMP) Reporting Standard v11 (revision and redesignation of ANSI/NCPDP PDMP Reporting Standard v10-2019): 7/19/2019

ANSI/NCPDP Post Adj v50-2019, NCPDP Post Adjudication Standard v50 (revision and redesignation of ANSI/NCPDP Post Adj v49-2019): 7/19/2019

ANSI/NCPDP SC Standard 2109071-2019, NCPDP SCRIPT Standard 2019071x (revision and redesignation of ANSI/NCPDP SC Standard 2019011-2019): 7/19/2019

ANSI/NCPDP Specialized Standard 2019071-2019, NCPDP Specialized Standard 2019071 (revision and redesignation of ANSI/NCPDP Specialized Standard 2019011-2019): 7/19/2019

ANSI/NCPDP Specialty Pharmacy Reporting v12-2019, NCPDP Specialty Pharmacy Data Reporting Standard v12 (revision and redesignation of ANSI/NCPDP Specialty Pharmacy Reporting v11-2019): 7/19/2019

ANSI/NCPDP TC vF5-2019, NCPDP Telecommunication Standard vF5 (revision and redesignation of ANSI/NCPDP TC vF4-2019): 7/19/2019

ANSI/NCPDP Uniform Healthcare Payer Data Standard v27-2019, NCPDP Uniform Healthcare Payer Data Standard v27 (revision and redesignation of ANSI/NCPDP Uniform Healthcare Payer Data Standard v26-2019): 7/19/2019

NSF (NSF International)

Revision

ANSI/NSF 170-2019 (i24r2), Glossary of Food Equipment Terminology (revision of ANSI/NSF 170-2017): 7/15/2019

ANSI/NSF 457-2019 (i2r1), Sustainability Leadership Standard for Photovoltaic Modules (revision of ANSI/NSF 457-2017): 7/15/2019

RVIA (Recreational Vehicle Industry Association)

New Standard

ANSI/RVIA EXTLAD-1-2019, Recommended Practice Laboratory Test Procedures for Exterior Ladders on Recreational Vehicles (new standard): 7/19/2019

UL (Underwriters Laboratories, Inc.)

Revision

ANSI/UL 252A-2019, Standard for Safety for Compressed Gas Regulator Accessories (revision of ANSI/UL 252A-2010 (R2015)): 7/12/2019

ANSI/UL 252A-2019a, Standard for Safety for Compressed Gas Regulator Accessories (revision of ANSI/UL 252A-2010 (R2015)): 7/12/2019

Project Initiation Notification System (PINS)

ANSI Procedures require notification of ANSI by ANSI-accredited standards developers (ASD) of the initiation and scope of activities expected to result in new or revised American National Standards (ANS). Early notification of activity intended to reaffirm or withdraw an ANS and in some instances a PINS related to a national adoption is optional. The mechanism by which such notification is given is referred to as the PINS process. For additional information, see clause 2.4 of the ANSI Essential Requirements: Due Process Requirements for American National Standards.

Following is a list of proposed actions and new ANS that have been received recently from ASDs. Please also review the section in Standards Action entitled "American National Standards Maintained Under Continuous Maintenance" for additional or comparable information with regard to standards maintained under the continuous maintenance option. Use the following Public Document Library url to access PDF & EXCEL reports of approved & proposed ANS: [List of Approved and Proposed ANS](#)

Directly and materially affected interests wishing to receive more information or to submit comments are requested to contact the standards developer directly within 30 days of the publication of this announcement.

AAMI (Association for the Advancement of Medical Instrumentation)

Contact: *Cliff Bernier, (703) 253-8263, cbernier@aami.org*
901 N. Glebe Road, Suite 300, Arlington, VA 22203

Revision

BSR/AAMI RD47-201x, Reprocessing of hemodialyzers (revision of ANSI/AAMI RD47-2008 (R2013))

Stakeholders: Dialysis providers, users, and manufacturers.

Project Need: Reuse is still being performed in less-developed countries and the standard remains useful. This revision updates citations and makes minor changes to remain consistent with current technology.

This recommended practice is addressed to the physician responsible for reprocessing hemodialyzers. It covers personnel and patient considerations, records, equipment, physical plant and environmental safety, reprocessing material, patient identification and hemodialyzer labeling, reprocessing and storage procedures, disposition of rejected dialyzers, preparation for subsequent use, patient monitoring, and quality assurance, and quality control. This document does not endorse either single use or reuse of dialyzers.

AARST (American Association of Radon Scientists and Technologists)

Contact: *Gary Hodgden, (202) 830-1110, StandardsAssist@gmail.com*
527 Justice Street, Hendersonville, NC 28739

New Standard

BSR/AARST SG-OMM-201x, Long-Term Stewardship of Radon and Soil Gas Hazards (new standard)

Stakeholders: Measurement professionals, mitigation professionals, state health departments, U.S. Agencies such as EPA, non-government health organizations, environmental consultants, private proficiency programs, and educators associated with radon gas and chemical vapor intrusion.

Project Need: Clarity is needed for enforceable requirements for use in contracts and for jurisdictional needs regarding operation, maintenance, and monitoring of systems that protect building occupants from radon and other soil gas hazards.

This standard is to provide prescriptive requirements and guidance for long-term management of hazards associated with radon gas, chemical vapors, and other specified soil gases. This standard provides requirements associated with (1) continued operation and maintenance of systems designed to reduce soil gas hazards and (2) monitoring radon and soil gas hazards across time to protect current and future building occupants.

ASC X9 (Accredited Standards Committee X9, Incorporated)

Contact: *Ambria Frazier, (410) 267-7707, Ambria.frazier@x9.org*
275 West Street, Suite 107, Annapolis, MD 21401

New Standard

BSR X9.145-201x, Framework for Financial Instrument Identification (new standard)

Stakeholders: Brokerage firms, banks/investment services, hedge funds, investment managers, custodians, utilities/industry infrastructure (exchanges, CCPs, clearing, etc.), regulators, data vendors, technology/software vendors.

Project Need: Adopting an open system (in contrast to singular identifiers) of shared symbology serves to establish the foundation for the needs of any modern data management solutions related to the efficient trading, settlement, and reporting of financial instruments. Such a system will enable firms and technology service providers to shift resources from laborious, inefficient, error-prone, and typically manual processes to new investments in tools and products that will better serve clients, consumers, regulators, and the industry at large.

Adoption of an open-source data framework of shared identifiers and open-source metadata answers the call for greater transparency for the United States financial market. The Object Management Group Financial Instrument Global Identifier (FIGI) introduces a metadata-driven methodology for the management of identifying financial instruments across contextual use cases, and enabling interoperability between existing identifiers. The FIGI enables financial firms and technology service providers to shift resources from laborious, inefficient processes to new investment in tools and products that will better serve clients. Simply stated, the FIGI provides an open-source industry-wide framework that can be used intra- or inter-company to enable the interoperability of the hundreds of vendor-owned identifiers and existing standards that are not currently interoperable or freely redistributable. The FIGI further enables usability by allowing extensibility without restrictions, aside from maintaining the open source nature of the core standard. The FIGI is the only machine-readable identifier standard that can represent any financial instrument.

Revision

BSR X9.82-1-201x, Random Number Generation - Part 1: Overview and Basic Principles (revision and redesignation of ANSI X9.82 Part 1-2006 (R2013))

Stakeholders: Banks, software vendors, etc., which require generation of secure random numbers.

Project Need: ANSI X9.82. parts 2-4 are being replaced with SP 800-90 parts A, B, C. As a result, ANSI X9.82, part 1 (for which there is not a NIST SP equivalent) will need to be updated to reflect these changes.

This standard defines techniques for the generation of random numbers that shall be used whenever ASC X9 standards require the use of a random number or bitstring for cryptographic purposes.

ASME (American Society of Mechanical Engineers)

Contact: *Mayra Santiago, (212) 591-8521, ansibox@asme.org*
Two Park Avenue, New York, NY 10016-5990

Revision

BSR/ASME B107.17-201x, Gages and Mandrels for Wrench Openings (revision of ANSI/ASME B107.17-2015)

Stakeholders: Producers and users of gages and mandrels for wrench openings.

Project Need: There is need for corrections to several tables.

This Standard establishes final inspection gage sizes and test mandrel sizes for wrench openings and spark plug wrench openings for inch and metric sizes. This Standard does not cover every available size, but only those most commonly manufactured.

AWS (American Welding Society)

Contact: Stephen Borrero, (305) 443-9353, sborrero@aws.org
8669 NW 36th Street, Suite 130, Doral, FL 33166

Revision

BSR/AWS G2.3M/G2.3-201x, Guide for the Joining of Solid Solution Austenitic Stainless Steels (revision of ANSI/AWS G2.3M/G2.3-2018)

Stakeholders: Any fabricator who works with austenitic stainless steels.

Project Need: To guide fabricators of stainless steel components on welding practices by incorporating minor corrections and editorial changes to the previous edition.

This guide presents a description of solid-solution austenitic stainless steels and the processes and procedures that can be used for the joining of these materials. This standard discusses the welding processes and welding parameters, qualifications, inspection and repair methods, cleaning, and safety considerations. Practical information has been included in the form of figures, tables, and graphs that should prove useful in determining capabilities and limitations in the joining of austenitic stainless steels.

CSA (CSA America Standards Inc.)

Contact: David Zimmerman, (216) 524-4990, david.zimmerman@csagroup.org
8501 E. Pleasant Valley Road, Cleveland, OH 44131

New Standard

BSR/CSA T150-201x, Connected & Automated Vehicle (CAV) Code (new standard)

Stakeholders: This proposed Code is being developed at the request of industry and manufacturers. It will provide the industry with the technical requirements and standards of safe operation of CAVs. This will meet the strategic needs of the following key interests: (a) Ensuring that the latest innovative/technology/safety features are available for users, (b) Addressing needs of regulators by providing suitable requirements; and (c) Supporting certification bodies.

Project Need: To support innovation and deployment in the field of connected and autonomous vehicles by providing infrastructure requirements for the installation and safe operations of CAVs and corresponding infrastructure in the North American context.

The connected and automated vehicle (CAV) code specifies infrastructure requirements for CAVs operating or intended to operate in both on-road and off-road environments in order to address public safety, security, and privacy challenges. The code includes, but is not limited to, physical and digital infrastructure. Consideration is given to cybersecurity, interoperability, data management, data privacy, data integrity, human aspects, and accessibility. The CAV code is intended to primarily address issues related to public safety, security, and privacy in conjunction with detailed knowledge of the legal, regulatory, and technological landscape, and ensuring compliance with all relevant and applicable law. The CAV code is not intended as a design specification nor as an instruction manual for untrained persons.

DirectTrust (DirectTrust.org, Inc.)

Contact: Natasha Kreisle, (404) 452-4962, Natasha.Kreisle@DirectTrust.org
P.O. Box 2885, Blairsville, GA 30514

New Standard

BSR/DIRECTTRUST DS201902v01-201x, Trusted Instant Messaging (TIM+) (new standard)

Stakeholders: (a) Healthcare providers or provider organizations; (b) Payers; (c) Healthcare Administrative staff; (d) Governmental agencies; (e) Non-profit organizations; (f) Patient or consumer advocates; (g) Information technology companies; (h) Interoperability and systems integration companies; (i) General interest.

Project Need: There are times when those participating in health care simply need to communicate with one another in real-time fashion, usually in short messages requiring minimal effort to produce, to help most efficiently accomplish their daily tasks. Much real-time communication between participants in the health care system today is accomplished via phone, resulting in an undesired "phone tag" loop that requires the initiator and/or recipient to leave their natural workflows resulting in inefficiencies. Some participants are left with utilizing unsecure methods such as regular text messaging (SMS). Given these realities, TIM+ can improve real-time communications among the varied health-care participants and build upon progress being made through various communities and existing technology providers.

Trusted Instant Messaging+ (TIM+) defines a protocol that facilitates real-time communication and incorporates secure messaging concepts to ensure information is transmitted securely between known, trusted entities both within and across enterprises. TIM+ will determine the availability or presence of trusted endpoints and support text-based communication and file transfers.

IAPMO (ASSE Chapter) (ASSE International Chapter of IAPMO)

Contact: Conrad Jahrling, (708) 995-3017, conrad.jahrling@asse-plumbing.org
18927 Hickory Creek Dr Suite 220, Mokena, IL 60448

Revision

BSR/ASSE 1061-201x, Performance Requirements for Push-Fit Fittings (revision of ANSI/ASSE 1061-2015)

Stakeholders: Plumbing industry, hydronic heating system designers and installers, etc.

Project Need: This revision will add new materials to the scope and performance requirements of the standard. It also will cover polybutylene (PB) transition fittings to non-PB piping systems.

The purpose of this standard is to establish minimum performance requirements for push-fit fittings and push-fit connections that are integrated into plumbing devices. The fittings described in this standard are intended for use in hot and cold potable water distribution and hydronic heating systems in residential and commercial applications. This standard applies to push-fit fittings that can be used with one or more of the following materials: (1) PEX tubing complying with ASTM F876 or CSA B137.5, (2) Copper tubing, hard drawn Type K, L, M, and annealed Type M not to exceed 3/8" nominal, complying with ASTM B88, (3) CPVC tubing complying with ASTM D2846 or CSA B137.6, (4) PE-RT tubing complying with ASTM F2769 or CSA B137.18, (5) PP-R/PP-RCT tubing complying with ASTM F2389 or CSA B137.11, and (6) CPVC-AL-CPVC complying with ASTM F2855.

IES (Illuminating Engineering Society)

Contact: Patricia McGillicuddy, (917) 913-0027, pmcgillicuddy@ies.org
120 Wall Street, Floor 17, New York, NY 10005

Reaffirmation

BSR/IES LM-80-2015 (R201x), Approved Method: Measuring Luminous Flux and Color Maintenance of LED Packages, Arrays and Modules (reaffirmation of ANSI/IES LM-80-2015)

Stakeholders: Lighting practitioners, electrical engineers, architects, interior designers, luminaire manufacturers, regulatory agencies, luminaire testing labs, the general public.

Project Need: This document describes the procedures by which LEDs are tested for the luminous (or radiant, or photon) flux maintenance and chromaticity maintenance or wavelength changes over time when operated conditions. The resulting measurements may be used for comparison of LEDs, and they may be utilized in models that project long-term changes.

LEDs typically exhibit very long operational life characteristics and, depending on drive current and use conditions, can be in use for 50,000 hours or longer. The light output from LEDs slowly decreases over time. This characteristic of declining output without catastrophic failure creates a risk that an LED-based lighting product near end-of-life may be operating, but performing outside the product's specification, or outside required codes, standard practices, or regulations. LEDs may also undergo gradual shifts in the emitted spectra over time that may result in unacceptable appearance, color rendering, or degraded efficacy.

Revision

BSR/IES RP-28-201x, Recommended Practice: Lighting and the Visual Environment for Older Adults and the Visually Impaired (revision and redesignation of ANSI/IES RP-28-2016)

Stakeholders: Lighting practitioners, architects, interior designers, electrical engineers, luminaire manufacturers, regulatory agencies, healthcare professionals, the general public.

Project Need: As the workforce ages, the need for lighting guidance becomes more of a concern. It seems clear that the Baby Boomer generation (born in the years 1946 through 1964) will see aging very differently from their parents. They will take their current life styles and modify them slightly but will expect to continue contributing to society and be visible in day-to-day life. This group will represent more than one in four Americans.

Older adults represent the fastest growing segment of the population with over 49 million Americans over 65. With over 10,000 Baby Boomers turning 65 everyday, BSR/IES RP-28-xx has been expanded to include areas beyond housing and senior care facilities, such as offices, hospitality, healthcare, commercial spaces, and places of assembly. The over-40 population represents approximately 89 million people and, of those, 63 percent have vision problems. However, there is a prevalence of low vision in the general senior population, which increases dramatically after the age of 70.

NECA (National Electrical Contractors Association)

Contact: *Aga Golriz, (301) 215-4549, Aga.golriz@necanet.org*
3 Bethesda Metro Center, Suite 1100, Bethesda, MD 20814

Revision

BSR/NECA 101-201x, Standard for Installing Steel Conduits (RMC, IMC, EMT) (revision of ANSI/NECA 101-2006 (R2013))

Stakeholders: Electrical contractors, specifiers, electrical workers, inspectors, building owners, maintenance engineers.

Project Need: National Electrical Installation Standards (developed by NECA in partnership with other industry organizations) are the first performance standards for electrical construction. They go beyond the basic safety requirements of the National Electrical Code to clearly define what is meant by installing products and systems in a "neat and workmanlike" manner.

This standard describes installation procedures for steel rigid metal conduit (RMC), steel intermediate metal conduit (IMC), and steel electrical metallic tubing (EMT). Conduit with supplementary PVC coating is also included.

BSR/NECA/EGSA 404-201x, Standard for Installing Generator Sets (revision and redesignation of ANSI/NECA 404-2014)

Stakeholders: Electrical contractors, specifiers, electrical workers, inspectors, building owners, maintenance engineers.

Project Need: National Electrical Installation Standards (developed by NECA in partnership with other industry organizations) are the first performance standards for electrical construction. They go beyond the basic safety requirements of the National Electrical Code to clearly define what is meant by installing products and systems in a "neat and workmanlike" manner.

This Standard describes installation procedures for generators, rated 1000 volts and less, and related accessories and systems that are permanently installed for on-site standby or emergency power generation that are typically fueled by natural gas, Liquefied Petroleum Gas (LPG) or propane, or diesel. Suck generators may be defined as "emergency systems" or "legally-required standby systems" intended to supply power for emergency or life-safety applications in accordance with the NEC, or as "optional standby systems" in accordance with the NEC where life safety does not depend on the performance of the system.

NEMA (ASC C8) (National Electrical Manufacturers Association)

Contact: *Gerard Winstanley, (703) 841-3231, gerard.winstanley@nema.org*
1300 N. 17th Street, Suite 900, Rosslyn, VA 22209

Revision

BSR/NEMA HP 9-201x, Electrical and Electronic Ethylene-Propylene Diene Elastomer (EPDM) Insulated Hook-Up Wire, Types EP (Rated 125°C; 600 V) and EPD (Rated 125°C; 5000 V) (revision of ANSI/NEMA HP 9-2014)

Stakeholders: Wire and cable manufacturers, Defense industry, Aerospace industry, other high-performance applications.

Project Need: To assure that these types of hook-up wire will meet requirements associated with high-reliability commercial electrical and electronic equipment.

HP 9 covers specific requirements for Ethylene-Propylene Diene Elastomer (EPDM) insulated solid and stranded wire, designed to the internal wiring of high-reliability electrical and electronic equipment. It addresses 600 V (Type EP) and 5000 V (Type EPD) wire and permits continuous conductor temperature ratings of -25 C to +125 C with tin-coated conductors. These types of hook-up wire are used when the following requirements are called for: (a) Moderate temperature resistance and (b) Good flexibility and flex life when stranded conductors are used.

BSR/NEMA WC 67-201x, Standard for Uninsulated Conductors Used in Electrical and Electronic Applications (revision of ANSI/NEMA WC 67-2011)

Stakeholders: 7HW Aerospace TC.

Project Need: To update standard to latest industry practices.

This standard covers the following uninsulated conductors: (a) Single end (solid) and stranded; (b) coated and uncoated copper; (c) coated copper alloy; (d) coated copper-clad steel; (e) aluminum conductors; and (f) thermocouple extension conductors. This standard covers the following uninsulated conductors: (a) Single-end (solid) and stranded; (b) coated and uncoated copper; (c) coated copper alloy; (d) coated copper-clad steel; (e) aluminum conductors; and (f) thermocouple extension conductors. These conductors are used primarily in insulated wires for aerospace, electrical, electronic, and other high-performance applications.

NEMA (National Electrical Manufacturers Association)

Contact: Zijun Tong, (703) 841-3253, zijun.tong@nema.org
1300 North 17th Street, Suite 900, Rosslyn, VA 22209

Revision

BSR/NEMA AB 3-201x, Molded Case Circuit Breakers and Their Application (revision and redesignation of ANSI/NEMA AB 3-2013)

Stakeholders: Breaker manufacturers, consumers, electrical contractors, electronic components manufacturers.

Project Need: For revision and updating the standard.

This application guide covers molded-case circuit breakers and molded-case switches, single-pole and multi-pole, fused and unfused, as well as accessories used with them. These circuit breakers and switches are assembled as integral units in supporting housings of insulating material and have rated voltages up to and including 1000 V, 50/60 Hz, AC, or AC/DC, and have rated interrupting current ratings of 5000 amperes or more. This application guide addresses electrical system with nominal ratings of 600 volts and below AC and DC, which represent the preponderance of the general-use application.

BSR/NEMA AB 4-201x, Guidelines for Inspection and Preventive Maintenance of Molded Case Circuit Breakers Used in Commercial and Industrial Applications (revision of ANSI/NEMA AB 4-2011)

Stakeholders: Breaker manufacturers, consumers, electrical contractors, electronic components manufacturers.

Project Need: Revise and update standard.

NEMA AB 4 sets forth, for use by qualified personnel, a number of basic procedures that may be used for the inspection and preventive maintenance of molded-case circuit breakers used in industrial and commercial applications rated up to and including 1000 V 50/60 Hz AC or AC/DC. The methods outlined may be used to verify specific characteristics of a molded-case circuit breaker that was originally built and tested in compliance with the requirements of NEMA standards publication AB 1 (UL 489). These methods are intended for field application and are, therefore, non-destructive in nature. Accordingly, these methods cannot be used to verify all performance capabilities of a molded-case circuit breaker since verification of some capabilities requires tests of a destructive nature. Many tests, including those of a destructive nature, as defined in AB 1 (UL 489), are performed on representative samples of circuit breakers by the manufacturer, as part of a routine program of factory inspection. The AB 4 standards publication is not intended, nor is it adequate, to verify proper electrical performance of a molded-case circuit breaker that has been disassembled (broken factory seal or removal of rivets), modified, rebuilt, refurbished, or handled in any manner not intended or authorized by the original circuit breaker manufacturer. Such breakers should be removed from service.

BSR/NEMA KS 2-201x, Distribution Equipment Switch Application Guide, A Users Reference (revision of ANSI/NEMA KS 2-2013)

Stakeholders: Switch manufacturers, consumers, electrical contractors, electronic components manufacturers.

Project Need: Revise and update standard.

This publication covers application information for distribution equipment switches that are: (a) Rated at not more than 600V and 6000A with or without a horse-power rating; (b) With or without provision for fuses; (c) With current-carrying parts and mechanisms enclosed in metallic or non-metallic cases, or that are enclosed when mounted in an enclosed switchboard, panelboard, or the like; and (d) Manually operable by means of external handles.

BSR/NEMA KS 3-201x, Guidelines for Inspection and Preventive Maintenance of Switches Used in Commercial and Industrial Applications (revision of ANSI/NEMA KS 3-2012)

Stakeholders: Switch manufacturers, consumers, electrical contractors, electronic components manufacturers.

Project Need: Revise and update standard.

Standard sets forth a number of basic procedures that may be used for the inspection and preventive maintenance of switches used in industrial and commercial applications rated up to and including 600 V 50/60 Hz ac or ac/dc.

BSR/NEMA PB 1.1-201x, General Instructions for Proper Installation, Operation, and Maintenance of Panelboards Rated 600 Volts or Less (revision of ANSI/NEMA PB 1.1-2013)

Stakeholders: Switch manufacturers, breaker manufacturers, consumers, electrical contractors, electronic components manufacturers, metering manufacturers, control equipment manufacturers, instruments manufacturers.

Project Need: Revise and update standard.

This publication covers single panelboards or groups of panel units suitable for assembly in the form of single panelboards, including buses, and with or without switches or automatic overload-protective devices (fuses or circuit breakers), or both. These units are used in the distribution of electricity at 600 volts and less with: 1600-ampere mains or less or 1200-ampere branch circuits or less. Specifically excluded are live-front panelboards, panelboards employing cast enclosures for special service conditions, and panelboards designed primarily for residential and light commercial service equipment.

BSR/NEMA PB 2.1-201x, General Instructions for Proper Handling, Installation, Operation, and Maintenance of Deadfront Distribution Switchboards Rated 600 Volts or Less (revision and redesignation of ANSI/NEMA PB 2.1-2013)

Stakeholders: Switch manufacturers, breaker manufacturers, consumers, electrical contractors, electronic components manufacturers, metering manufacturers, control equipment manufacturers, instruments manufacturers.

Project Need: Revise and update standard.

This publication covers floor-mounted deadfront switchboards which consist of an enclosure, molded-case and low-voltage power-circuit breakers, fusible or non-fusible switches, instruments, and metering, monitoring, or control equipment, with associated interconnections and supporting structures. These units are used in the distribution of electricity at: (a) 600 volts and less and (b) 6000 amperes or less.

UL (Underwriters Laboratories, Inc.)

Contact: Griff Edwards, (919) 549-0956, griff.edwards@ul.org
12 Laboratory Drive, Research Triangle Park, NC 27709-3995

New Standard

BSR/UL 1091-201x, Standard for Safety for Butterfly Valves for Fire-Protection Service (new standard)

Stakeholders: Valve manufacturers, AHJs, fire protection engineers/designers.

Project Need: To obtain national recognition of a standard covering butterfly valves for fire-protection service.

These requirements cover butterfly valves intended for use in piping systems supplying water for fire-protection service. The valves covered by these requirements are intended for installation and use in accordance with the Standards for: (a) Low, Medium, and High Expansion Foam, NFPA 11; (b) Installation of Sprinkler Systems, NFPA 13; (c) Installation of Standpipe and Hose Systems, NFPA 1; (d) Water Spray Fixed Systems for Fire Protection, NFPA 15; (e) Foam-Water Sprinkler and Foam-Water Spray Systems, NFPA 16; (f) Installation of Stationary Pumps for Fire Protection, NFPA 20; (g) Water Tanks for Private Fire Protection, NFPA 22; and (h) Installation of Private Fire Service Mains and Their Appurtenances, NFPA 24.

American National Standards Maintained Under Continuous Maintenance

The ANSI Essential Requirements: Due Process Requirements for American National Standards provides two options for the maintenance of American National Standards (ANS): periodic maintenance (see clause 4.7.1) and continuous maintenance (see clause 4.7.2). Continuous maintenance is defined as follows:

The standard shall be maintained by an accredited standards developer. A documented program for periodic publication of revisions shall be established by the standards developer. Processing of these revisions shall be in accordance with these procedures. The published standard shall include a clear statement of the intent to consider requests for change and information on the submittal of such requests. Procedures shall be established for timely, documented consensus action on each request for change and no portion of the standard shall be excluded from the revision process. In the event that no revisions are issued for a period of four years, action to reaffirm or withdraw the standard shall be taken in accordance with the procedures contained in the ANSI Essential Requirements.

The Executive Standards Council (ExSC) has determined that for standards maintained under the Continuous Maintenance option, separate PINS announcements are not required. The following ANSI Accredited Standards Developers have formally registered standards under the Continuous Maintenance option

- **AAMI (Association for the Advancement of Medical Instrumentation)**
- **AARST (American Association of Radon Scientists and Technologists)**
- **AGA (American Gas Association)**
- **AGSC-AGRSS (Auto Glass Safety Council)**
- **ASC X9 (Accredited Standards Committee X9, Incorporated)**
- **ASHRAE (American Society of Heating, Refrigerating and Air-Conditioning Engineers, Inc.)**
- **ASME (American Society of Mechanical Engineers)**
- **ASTM (ASTM International)**
- **GBI (Green Building Initiative)**
- **HL7 (Health Level Seven)**
- **IES (Illuminating Engineering Society)**
- **ITI (InterNational Committee for Information Technology Standards)**
- **MHI (Material Handling Industry)**
- **NAHBRC (NAHB Research Center, Inc.)**
- **NBBPVI (National Board of Boiler and Pressure Vessel Inspectors)**
- **NCPDP (National Council for Prescription Drug Programs)**
- **NEMA (National Electrical Manufacturers Association)**
- **NISO (National Information Standards Organization)**
- **NSF (NSF International)**
- **PRCA (Professional Ropes Course Association)**
- **RESNET (Residential Energy Services Network, Inc.)**
- **SAE (SAE International)**
- **TCNA (Tile Council of North America)**
- **TIA (Telecommunications Industry Association)**
- **UL (Underwriters Laboratories, Inc.)**

To obtain additional information with regard to these standards, including contact information at the ANSI Accredited Standards Developer, please visit ANSI Online at www.ansi.org/asd, select "Standards Activities," click on "Public Review and Comment" and "American National Standards Maintained Under Continuous Maintenance." This information is also available directly at www.ansi.org/publicreview

Alternatively, you may contact the Procedures & Standards Administration department (PSA) at psa@ansi.org or via fax at 212-840-2298. If you request that information be provided via E-mail, please include your E-mail address; if you request that information be provided via fax, please include your fax number. Thank you.

ANSI-Accredited Standards Developers Contact Information

The addresses listed in this section are to be used in conjunction with standards listed in PINS, Call for Comment and Final Actions. This section is a list of developers who have submitted standards for this issue of *Standards Action* – it is not intended to be a list of all ANSI-Accredited Standards Developers. Please send all address corrections to Standards Action Editor at standact@ansi.org.

<p>AAMI Association for the Advancement of Medical Instrumentation 901 N. Glebe Road, Suite 300 Arlington, VA 22203 Phone: (703) 253-8263 Web: www.aami.org</p>	<p>ASTM ASTM International 100 Barr Harbor Drive West Conshohocken, PA 19428-2959 Phone: (610) 832-9744 Web: www.astm.org</p>	<p>DirectTrust DirectTrust.org, Inc. P.O. Box 2885 Blairsville, GA 30514 Phone: (404) 452-4962 Web: www.DirectTrust.org</p>	<p>NCPDP National Council for Prescription Drug Programs 9240 East Raintree Drive Scottsdale, AZ 85260 Phone: (480) 296-4584 Web: www.ncdpd.org</p>
<p>AARST American Association of Radon Scientists and Technologists 527 Justice Street Hendersonville, NC 28739 Phone: (202) 830-1110 Web: www.aarst.org</p>	<p>ATIS Alliance for Telecommunications Industry Solutions 1200 G Street NW Suite 500 Washington, DC 20005 Phone: (202) 628-6380 Web: www.atis.org</p>	<p>ECIA Electronic Components Industry Association 13873 Park Center Road Suite 315 Herndon, VA 20171 Phone: (571) 323-0294 Web: www.ecianow.org</p>	<p>NECA National Electrical Contractors Association 3 Bethesda Metro Center Suite 1100 Bethesda, MD 20814 Phone: (301) 215-4549 Web: www.neca-neis.org</p>
<p>ACCT Association for Challenge Course Technology P.O. Box 19797 Boulder, CO 80308 Phone: (206) 818-1838 Web: www.acctinfo.org</p>	<p>AWS American Welding Society 8669 NW 36th Street Suite 130 Doral, FL 33166 Phone: (305) 443-9353 Web: www.aws.org</p>	<p>HL7 Health Level Seven 3300 Washtenaw Avenue Suite 227 Ann Arbor, MI 48104 Phone: (734) 677-7777 Web: www.hl7.org</p>	<p>NEMA (ASC C12) National Electrical Manufacturers Association 1300 North 17th Street Suite 900 Rosslyn, VA 22209 Phone: (703) 841-3227 Web: www.nema.org</p>
<p>ANS American Nuclear Society 555 North Kensington Avenue La Grange Park, IL 60526 Phone: (708) 579-8268 Web: www.ans.org</p>	<p>AWWA American Water Works Association 6666 W. Quincy Ave. Denver, CO 80235 Phone: (303) 347-6178 Web: www.awwa.org</p>	<p>IAPMO (ASSE Chapter) ASSE International Chapter of IAPMO 18927 Hickory Creek Dr Suite 220 Mokena, IL 60448 Phone: (708) 995-3017 Web: www.asse-plumbing.org</p>	<p>NEMA (ASC C8) National Electrical Manufacturers Association 1300 N. 17th Street, Suite 900 Rosslyn, VA 22209 Phone: (703) 841-3231 Web: www.nema.org</p>
<p>ASC X9 Accredited Standards Committee X9, Incorporated 275 West Street Suite 107 Annapolis, MD 21401 Phone: (410) 267-7707 Web: www.x9.org</p>	<p>BICSI Building Industry Consulting Service International 8610 Hidden River Parkway Tampa, FL 33637 Phone: (813) 903-4712 Web: www.bicsi.org</p>	<p>IEEE (ASC C63) Institute of Electrical and Electronics Engineers 445 Hoes Lane Piscataway, NJ 08854 Phone: (732) 562-3874 Web: www.ieee.org</p>	<p>NEMA (Canvass) National Electrical Manufacturers Association 1300 North 17th Street Suite 900 Rosslyn, VA 22209 Phone: (703) 841-3253 Web: www.nema.org</p>
<p>ASME American Society of Mechanical Engineers Two Park Avenue New York, NY 10016-5990 Phone: (212) 591-8521 Web: www.asme.org</p>	<p>CSA CSA America Standards Inc. 8501 E. Pleasant Valley Road Cleveland, OH 44131 Phone: (216) 524-4990 Web: www.csagroup.org</p>	<p>IES Illuminating Engineering Society 120 Wall Street, Floor 17 New York, NY 10005 Phone: (917) 913-0027 Web: www.ies.org</p>	<p>NENA National Emergency Number Association 16603 Meadow Cove Street Tampa, FL 33624-1283 Phone: (727) 312-3230 Web: www.nena.org</p>
<p>ASSP (Safety) American Society of Safety Professionals 520 N. Northwest Highway Park Ridge, IL 60068 Phone: (847) 768-3411 Web: www.assp.org</p>	<p>CTA Consumer Technology Association 1919 South Eads Street Arlington, VA 22202 Phone: (703) 907-7697 Web: www.cta.tech</p>	<p>MHI Material Handling Industry 8720 Red Oak Boulevard Suite 201 Charlotte, NC 28217 Phone: (704) 714-8755 Web: www.mhi.org</p>	<p>NSF NSF International 789 N. Dixboro Road Ann Arbor, MI 48105-9723 Phone: (734) 827-5643 Web: www.nsf.org</p>

RESNET

Residential Energy Services Network,
Inc.

4867 Patina Court
Oceanside, CA 92057
Phone: (760) 408-5860
Web: www.resnet.us.com

RVIA

Recreational Vehicle Industry
Association

1896 Preston White Drive
P.O. Box 2999
Reston, VA 20191-4363
Phone: (703) 620-6003
Web: www.rvia.org

TIA

Telecommunications Industry
Association

1320 North Courthouse Road
Suite 200
Arlington, VA 22201
Phone: (703) 907-7706
Web: www.tiaonline.org

UL

Underwriters Laboratories, Inc.
12 Laboratory Drive
Research Triangle Park, NC 27709
-3995
Phone: (919) 549-0956
Web: www.ul.com



ISO & IEC Draft International Standards

This section lists proposed standards that the International Organization for Standardization (ISO) and the International Electrotechnical Commission (IEC) are considering for approval. The proposals have received substantial support within the technical committees or subcommittees that developed them and are now being circulated to ISO and IEC members for comment and vote. Standards Action readers interested in reviewing and commenting on these documents should order copies from ANSI.

Comments

Comments regarding ISO documents should be sent to ANSI's ISO Team (isot@ansi.org); comments on ISO documents must be submitted electronically in the approved ISO template and as a Word document as other formats will not be accepted.

Those regarding IEC documents should be sent to Tony Zertuche, General Secretary, USNC/IEC, at ANSI's New York offices (tzertuche@ansi.org). The final date for offering comments is listed after each draft.

Ordering Instructions

ISO and IEC Drafts can be made available by contacting ANSI's Customer Service department. Please e-mail your request for an ISO or IEC Draft to Customer Service at sales@ansi.org. When making your request, please provide the date of the Standards Action issue in which the draft document you are requesting appears.

ISO Standards

ACOUSTICS (TC 43)

ISO/DIS 12999-2, Acoustics - Determination and application of measurement uncertainties in building acoustics - Part 2: Sound absorption - 8/4/2019, \$53.00

ADDITIVE MANUFACTURING (TC 261)

ISO/ASTM DIS 52950, Additive manufacturing - General principles - Overview of data processing - 9/29/2019, \$46.00

AGRICULTURAL FOOD PRODUCTS (TC 34)

ISO 6579-1/DAMd1, - Amendment 1: Broader range of incubation temperatures, amendment to the status of Annex D and correction of the composition of MSRV and SC - 8/1/2019, \$58.00

ANAESTHETIC AND RESPIRATORY EQUIPMENT (TC 121)

ISO/DIS 80601-2-13, Medical electrical equipment - Part 2-13: Particular requirements for basic safety and essential performance of an anaesthetic workstation - 9/27/2019, \$175.00

APPLICATIONS OF STATISTICAL METHODS (TC 69)

ISO/DIS 7870-9, Control charts - Part 9: Control charts for autocorrelated processes - 8/2/2019, \$77.00

ISO/DIS 22514-3, Statistical methods in process management - Capability and performance - Part 3: Machine performance studies for measured data on discrete parts - 8/10/2019, \$77.00

BIOTECHNOLOGY (TC 276)

ISO/DIS 21709, Biotechnology - Biobanking - Process and quality requirements for establishment, maintenance and characterization of mammalian cell lines - 10/3/2019, \$71.00

ISO/DIS 21710, Biotechnology - Specification on data management and publication in microbial resource centers - 9/28/2019, \$88.00

ISO/DIS 21973, Biotechnology - General requirements for transportation of cells for therapeutic use - 9/27/2019, \$77.00

COMMUNITY SCALE RESOURCE ORIENTED SANITATION TREATMENT SYSTEMS (TC 318)

ISO/DIS 31800, Faecal sludge treatment units - Energy independent, prefabricated, community-scale, resource recovery units - Safety and performance requirements - 8/3/2019, \$125.00

CONCRETE, REINFORCED CONCRETE AND PRE-STRESSED CONCRETE (TC 71)

ISO/DIS 20290-1, Aggregates for concrete - Test methods for mechanical and physical properties - Part 1: Determination of bulk density, particle density, particle mass-per-volume and water absorption - 8/10/2019, \$53.00

CRYOGENIC VESSELS (TC 220)

ISO 23208/DAMd1, Cryogenic vessels - Cleanliness for cryogenic service - Amendment 1 - 9/30/2019, \$29.00

DIMENSIONAL AND GEOMETRICAL PRODUCT SPECIFICATIONS AND VERIFICATION (TC 213)

ISO 25178-72/DAMd1, Geometrical product specifications (GPS) - Surface texture: Areal - Part 72: XML file format x3p - Amendment 1 - 8/2/2019, \$46.00

ENVIRONMENTAL MANAGEMENT (TC 207)

ISO/DIS 14053, Environmental management - Material flow cost accounting - Guidance for practical implementation in SMEs - 8/9/2019, \$62.00

FERROUS METAL PIPES AND METALLIC FITTINGS (TC 5)

ISO/DIS 10802, Ductile iron pipelines - Hydrostatic testing after installation - 9/30/2019, \$77.00

FLOOR COVERINGS (TC 219)

ISO/DIS 1763, Textile floor coverings - Determination of number of tufts and/or loops per unit length and per unit area - 10/3/2019, \$33.00

ISO/DIS 18167, Textile floor coverings - Installation practices - General - 8/9/2019, \$112.00

FLUID POWER SYSTEMS (TC 131)

ISO/DIS 23309, Hydraulic fluid power systems - Assembled systems - Methods of cleaning lines by flushing - 11/8/2008, \$71.00

GAS CYLINDERS (TC 58)

ISO/DIS 23088, Gas cylinders - Periodic inspection and testing of welded steel pressure drums - Capacities up to 1 000 l - 8/4/2019, \$71.00

GEOGRAPHIC INFORMATION/GEOMATICS (TC 211)

ISO/DIS 19165-2, Geographic information - Preservation of digital data and metadata - Part 2: Content specifications for earth observation data and derived digital products - 9/27/2019, \$93.00

HEALTH INFORMATICS (TC 215)

ISO/DIS 21393, Health informatics - Omics Markup Language (OML) - 8/9/2019, \$155.00

MACHINE TOOLS (TC 39)

ISO/DIS 19085-1, Woodworking machines - Safety - Part 1: Common requirements - 10/4/2019, \$119.00

ISO/DIS 19085-17, Woodworking machines - Safety - Part 17: Edge banding machines fed by chains - 10/4/2019, \$119.00

MATERIALS, EQUIPMENT AND OFFSHORE STRUCTURES FOR PETROLEUM AND NATURAL GAS INDUSTRIES (TC 67)

ISO 11961/DAMd1, Petroleum and natural gas industries - Steel drill pipe - Amendment 1 - 9/27/2019, \$29.00

PACKAGING (TC 122)

ISO/DIS 22982-1, Transport packaging - Temperature controlled transport packages for parcel shipping - Part 1: General requirements - 10/4/2019, \$58.00

PAINTS AND VARNISHES (TC 35)

ISO/DIS 1524, Paints, varnishes and printing inks - Determination of fineness of grind - 9/28/2019, \$46.00

ISO/DIS 2409, Paints and varnishes - Cross-cut test - 9/29/2019, \$62.00

ISO/DIS 15528, Paints, varnishes and raw materials for paints and varnishes - Sampling - 10/3/2019, \$62.00

ISO/DIS 20566, Paints and varnishes - Determination of the scratch resistance of a coating system using a laboratory-scale car-wash - 9/29/2019, \$53.00

ISO/DIS 11127-1, Preparation of steel substrates before application of paints and related products - Test methods for non-metallic blast-cleaning abrasives - Part 1: Sampling - 10/4/2019, \$40.00

ISO/DIS 11127-2, Preparation of steel substrates before application of paints and related products - Test methods for non-metallic blast-cleaning abrasives - Part 2: Determination of particle size distribution - 10/4/2019, \$33.00

ISO/DIS 11127-3, Preparation of steel substrates before application of paints and related products - Test methods for non-metallic blast-cleaning abrasives - Part 3: Determination of apparent density - 10/4/2019, \$33.00

ISO/DIS 11127-4, Preparation of steel substrates before application of paints and related products - Test methods for non-metallic blast-cleaning abrasives - Part 4: Assessment of hardness by a glass slide test - 10/4/2019, \$33.00

ISO/DIS 11127-5, Preparation of steel substrates before application of paints and related products - Test methods for non-metallic blast-cleaning abrasives - Part 5: Determination of moisture - 10/4/2019, \$33.00

ISO/DIS 8502-15, Preparation of steel substrates before application of paints and related products - Tests for the assessment of surface cleanliness - Part 15: Extraction of soluble contaminants for analysis by acid extraction - 10/4/2019, \$53.00

PERSONAL SAFETY - PROTECTIVE CLOTHING AND EQUIPMENT (TC 94)

ISO/DIS 17420-1, Respiratory protective devices - Performance requirements - Part 1: General - 9/28/2019, \$58.00

ISO/DIS 17420-2, Respiratory protective devices - Performance requirements - Part 2: Requirements for filtering RPD - 9/28/2019, \$146.00

ISO/DIS 17420-4, Respiratory protective devices - Performance requirements - Part 4: Requirements for supplied breathable gas RPD - 9/28/2019, \$146.00

PETROLEUM PRODUCTS AND LUBRICANTS (TC 28)

ISO/DIS 5165, Petroleum products - Determination of the ignition quality of diesel fuels - Cetane engine method - 10/6/2019, \$82.00

PLASTICS (TC 61)

ISO/DIS 10352, Fibre-reinforced plastics - Moulding compounds and prepregs - Determination of mass per unit area and fibre mass per unit area - 8/1/2019, \$62.00

ROAD VEHICLES (TC 22)

ISO/DIS 23132, Road vehicles - Extended Vehicle (ExVe) time critical applications - General requirements, definitions and classification methodology of time-constrained situations related to Road and ExVe Safety (RExVeS) - 10/3/2019, \$82.00

ISO/DIS 8092-5, Road vehicles - Connections for on-board electrical wiring harnesses - Part 5: Test methods and general performance requirements for wiring harness connector operation - 8/8/2019, \$53.00

ISO/DIS 21111-1, Road vehicles - In-vehicle Ethernet - Part 1: General information and definitions - 8/1/2019, \$53.00

ISO/DIS 21111-2, Road vehicles - In-vehicle Ethernet - Part 2: Common physical entity requirements - 8/1/2019, \$102.00

ISO/DIS 21111-3, Road vehicles - In-vehicle Ethernet - Part 3: Optical 1-Gbit/s physical entity requirements and conformance test plan - 8/1/2019, \$203.00

RUBBER AND RUBBER PRODUCTS (TC 45)

ISO/DIS 15671, Rubber and rubber products - Determination of total sulfur content using an automatic analyser - 8/2/2019, \$40.00

ISO/DIS 21490, Rubber and rubber products - Determination of 2-Mercaptobenzothiazole content by high performance liquid chromatography (HPLC) - 8/8/2019, \$40.00

ISO/DIS 23075, Vulcanized rubbers - Determination of antidegradants by high-performance liquid chromatography - 8/8/2019, \$62.00

ISO/DIS 4664-3, Rubber, vulcanized or thermoplastic - Determination of dynamic properties - Part 3: Glass transition temperature (Tg) - 8/11/2019, \$53.00

ISO/DIS 11193-1, Single-use medical examination gloves - Part 1: Specification for gloves made from rubber latex or rubber solution - 8/3/2019, \$53.00

SECURITY (TC 292)

- ISO/DIS 22383, Security and resilience - Authenticity, integrity and trust for products and documents - Guidelines and performance criteria for authentication solutions for material goods - 9/27/2019, \$88.00
- ISO/DIS 22384, Security and resilience - Authenticity, integrity and trust for products and documents - Guidelines to establish and monitor a protection plan and its implementation - 9/27/2019, \$67.00

SHIPS AND MARINE TECHNOLOGY (TC 8)

- ISO/DIS 13733, Ships and marine technology - Ships mooring and towing fittings - Universal fairleads with upper roller - 8/1/2019, \$77.00
- ISO/DIS 13742, Ships and marine technology - Ships mooring and towing fittings - Universal fairleads without upper roller - 8/3/2019, \$77.00
- ISO/DIS 21963, Ships and marine technology - Marine environment protection - Tank and piping systems for facilitating 5 ppm oil water separation - 8/3/2019, \$77.00
- ISO/DIS 22252, Manned submersibles - Breathing air supply and carbon dioxide adsorption - Design requirements - 8/9/2019, \$46.00

SIEVES, SIEVING AND OTHER SIZING METHODS (TC 24)

- ISO/DIS 15900, Determination of particle size distribution - Differential electrical mobility analysis for aerosol particles - 8/1/2019, \$155.00
- ISO/DIS 13319-1, Determination of particle size distribution - Electrical sensing zone method - Part 1: Aperture/orifice tube method - 8/3/2019, \$102.00

TEXTILES (TC 38)

- ISO/DIS 1833-1, Textiles - Quantitative chemical analysis - Part 1: General principles of testing - 9/28/2019, \$67.00
- ISO/DIS 1833-2, Textiles - Quantitative chemical analysis - Part 2: Ternary fibre mixtures - 9/28/2019, \$67.00
- ISO/DIS 12945-1, Textiles - Determination of the resistance to pilling and change of appearance of fabrics - Part 1: Pilling box method - 12/4/2008, \$46.00
- ISO/DIS 12945-2, Textiles - Determination of fabric propensity to surface pilling, fuzzing or matting - Part 2: Modified Martindale method - 8/2/2019, \$58.00
- ISO/DIS 12945-3, Textiles - Determination of fabric propensity to surface fuzzing and to pilling - Part 3: Random tumble pilling method - 11/6/2008, \$58.00
- ISO/DIS 12945-4, Textiles - Determination of fabric propensity to surface pilling, fuzzing or matting - Part 4: Assessment of pilling, fuzzing or matting by visual analysis - 8/2/2019, \$40.00
- ISO/DIS 21915-1, Textiles - Qualitative and quantitative analysis of some cellulose fibres (lyocell, cupro) and their blends - Part 1: Fibre identification using scanning electron microscopy and spectral analysis methods - 9/23/2019, \$82.00
- ISO/DIS 21915-2, Textiles - Qualitative and quantitative analysis of some cellulose fibres (lyocell, cupro) and their blends - Part 2: Blend quantification using light microscopy method - 9/23/2019, \$82.00
- ISO/DIS 21915-3, Textiles - Qualitative and quantitative analysis of some cellulose fibres (lyocell, cupro) and their blends - Part 3: Blend quantification using spectral analysis method - 9/23/2019, \$58.00

TOBACCO AND TOBACCO PRODUCTS (TC 126)

- ISO/DIS 22980, Tobacco - Determination of the Content of Total alkaloids as Nicotine - Continuous-Flow Analysis Method using KSCN/DCIC - 8/4/2019, \$53.00

TRACTORS AND MACHINERY FOR AGRICULTURE AND FORESTRY (TC 23)

- ISO/DIS 11681-1, Machinery for forestry - Portable chain-saw safety requirements and testing - Part 1: Chain-saws for forest service - 10/5/2019, \$93.00
- ISO/DIS 11681-2, Machinery for forestry - Portable chain-saw safety requirements and testing - Part 2: Chain-saws for tree service - 10/5/2019, \$98.00
- ISO/DIS 22172-1, Tractors and agricultural machinery - Standardized access to repair and maintenance information (RMI) - Part 1: User interface requirements for web-based information systems - 9/26/2019, \$88.00

TRADITIONAL CHINESE MEDICINE (TC 249)

- ISO/DIS 22236, Traditional Chinese medicine - Thread embedding acupuncture needle for single use - 9/30/2019, \$53.00

TRANSPORT INFORMATION AND CONTROL SYSTEMS (TC 204)

- ISO 14906/DAmD1, Electronic fee collection - Application interface definition for dedicated short-range communication - Amendment 1 - 8/1/2019, \$33.00
- ISO/DIS 14907-1, Electronic fee collection - Test procedures for user and fixed equipment - Part 1: Description of test procedures - 8/1/2019, \$155.00
- ISO/DIS 17572-4, Intelligent transport systems (ITS) - Location referencing for geographic databases - Part 4: Precise relative location references (precise relative profile) - 8/11/2019, \$93.00

WATER QUALITY (TC 147)

- ISO/DIS 22017, Water quality - Guidance for rapid radioactivity measurements in nuclear or radiological emergency situation - 8/2/2019, \$77.00

WATER RE-USE (TC 282)

- ISO/DIS 23056, Water reuse in urban areas - Guidelines for decentralized/onsite water reuse system - Design principle of a decentralized/onsite system - 9/29/2019, \$67.00
- ISO/DIS 23070, Water reuse in urban areas - Guidelines for reclaimed water treatment - Design principle of a RO desalination system of municipal wastewater - 9/28/2019, \$82.00

ISO Guides**OTHER**

- ISO Guide 30/DAmD1, Reference materials - Selected terms and definitions - Amendment 1: Revisions of definitions for reference material and certified reference material - 9/28/2019, \$29.00

ISO/IEC JTC 1, Information Technology

- ISO/IEC 19772/DAmD1, Information technology - Security techniques - Authenticated encryption - Amendment 1 - 8/8/2019, \$40.00
- ISO/IEC 17839-2/DAmD1, Information technology - Biometric System-on-Card - Part 2: Physical characteristics - Amendment 1: Additional specifications - 9/26/2019, \$33.00
- ISO/IEC 23008-2/DAmD1, Information technology - High efficiency coding and media delivery in heterogeneous environments - Part 2: High efficiency video coding - Amendment 1: Range extensions - 11/12/2015, \$62.00
- ISO/IEC 23009-5/DAmD1, Information technology - Dynamic adaptive streaming over HTTP (DASH) - Part 5: Server and network assisted DASH (SAND) - Amendment 1: Improvements on SAND messages - 8/2/2019, \$33.00

ISO/IEC DIS 19989-1, Information technology - Security techniques - Criteria and methodology for security evaluation of biometric systems - Part 1: Framework - 8/3/2019, \$155.00

ISO/IEC DIS 21838-1, Information technology - Top-level ontologies (TLO) - Part 1: Requirements - 8/9/2019, \$82.00

ISO/IEC DIS 21838-2, Information technology - Top-level ontologies (TLO) - Part 2: Basic Formal Ontology (BFO) - 8/9/2019, \$107.00

ISO/IEC DIS 23093-1, Information technology - Internet of media things - Part 1: Architecture - 8/4/2019, \$82.00

ISO/IEC DIS 15938-16, Information technology - Multimedia content description interface - Part 16: Conformance and reference software for compact descriptors for video analysis - 8/11/2019, \$71.00

ISO/IEC DIS 29110-4-2, Systems and software engineering - Lifecycle profiles for Very Small Entities (VSEs) - Part 4-2: Software engineering - Profile specifications: Organizational management profile group - 10/7/2019, \$71.00

IEC Standards

ACEA/266/DC, WORKING DRAFT FOR COMMENT: Guidelines for defining halogen content terminology in IEC publications, 2019/9/27

8B/42/NP, PNW TS 8B-42: Guideline for the hosting capacity evaluation of distribution networks for distributed generations, /2019/10/1

8B/43/NP, PNW 8B-43: Test requirements for the functional simulation of DER integration, /2019/10/1

22E/200/NP, PNW 22E-200: Bi-directional grid connected power converters, Part 3: EMC requirements and test methods, 2019/9/13

22G/397/CD, IEC 61800-5-1 ED3: Adjustable speed electrical power drive systems - Part 5-1: Safety requirements - Electrical, thermal and energy, /2019/10/1

27/1115/CD, IEC 60519-4 ED5: Safety in electroheating installations - Part 4: Particular requirements for arc furnace installations, 2019/9/13

34D/1489/DC, Document for comment: Proposal for the maintenance of IEC 60598 1:2014, 4.14.2 on stress in SELV conductor, /2019/10/1

46/723/CDV, IEC 62153-4-9/AMD1 ED2: Metallic cables and other passive components test methods - Part 4-9: Electromagnetic compatibility (EMC) - Coupling attenuation of screened balanced cables, triaxial method - Amendment 1: Measuring the screening effectiveness of unscreened single or multiple balanced pairs, /2019/10/1

46F/478/NP, PNW 46F-478: Radio-frequency connectors - Part 21: Sectional specification for RF coaxial connectors with inner diameter of outer conductor 9,5 mm (0,374 in) with screw coupling - Characteristic impedance 50 ohms (Type SC), /2019/10/1

46F/479/NP, PNW 46F-479: Radio-frequency connectors - Part 1-X: Electrical test methods - RF power, /2019/10/1

47/2580/CDV, IEC 62830-7 ED1: Semiconductor devices - Semiconductor devices for energy harvesting and generation - Part 7: Linear sliding mode triboelectric energy harvesting, /2019/10/1

47/2576A/NP, PNW 47-2576: Semiconductor devices - Reliability test method for silicon carbide discrete metal-oxide semiconductor field effect transistors - Part 1: Test method for bias temperature instability, 019/8/9/

47/2577A/NP, PNW 47-2577: Semiconductor devices - Reliability test method for silicon carbide discrete metal-oxide semiconductor field effect transistors - Part 2: Test method for bipolar degradation by body diode operating, 019/8/9/

47E/669/CD, IEC 60747-8/AMD1 ED3: Semiconductor devices - Discrete devices - Part 8: Field-effect transistors, 2019/9/13

47F/336/CDV, IEC 62047-37 ED1: Semiconductor devices - Micro-electromechanical devices - Part 37: Environmental test methods of MEMS piezoelectric thin films for sensor application, /2019/10/1

59/708/CDV, IEC 63252 ED1: Energy consumption of vending machines, /2019/10/1

61J/716/CD, IEC 60335-2-67 ED5: Household and similar electrical appliances - Safety - Part 2-67: Particular requirements for floor treatment machines, for commercial use, 2019/11/8

61J/717/CD, IEC 60335-2-68 ED5: Household and similar electrical appliances - Safety - Part 2-68: Particular requirements for spray extraction machines, for commercial use, 2019/11/8

61J/718/CD, IEC 60335-2-69 ED6: Household and similar electrical appliances - Safety - Part 2-69: Particular requirements for wet and dry vacuum cleaners, including power brush, for commercial use, 2019/11/8

61J/719/CD, IEC 60335-2-79 ED5: Household and similar electrical appliances - Safety - Part 2-79: Particular requirements for high pressure cleaners and steam cleaners, 2019/11/8

64/2382/FDIS, IEC 60364-7-701 ED3: Low-voltage electrical installations - Part 7-701: Requirements for special installations or locations - Locations containing a bath or shower, 2019/8/30

65C/967/CDV, IEC 62657-4 ED1: Industrial communication networks - Wireless communication networks - Part 4: Coexistence management with central coordination of wireless applications, /2019/10/1

76/633/CD, IEC TR 60825-14 ED2: Safety of laser products - Part 14: A user's guide, 2019/9/13

78/1270/CD, IEC 60050-651/AMD1 ED2: International Electrotechnical Vocabulary (IEV) - Part 651: Live working, 2019/9/13

82/1607/DTS, IEC TS 62910 ED2: Utility-interconnected photovoltaic inverters - Test procedure for under voltage ride-through measurements, /2019/10/1

86A/1958/CD, IEC 60794-1-401 ED1: Optical fibre cables - Part 1-401: Generic specification - Basic optical cable test procedures - Electrical test methods - Short-circuit test (for OPGW and OPAC), Method H1, /2019/10/1

86C/1610/NP, PNW 86C-1610: Fibre optic sensors - Part 5-1: Tilt measurement - Tilt sensors based on fibre Bragg gratings, /2019/10/1

91/1593/NP, PNW 91-1593: Test methods for electrical materials, printed board and other interconnection structures and assemblies - Part 2-XXX: Test methods for materials for interconnection structures - Decomposition Temperature (Td) using TGA, /2019/10/1

100/3288/CD, IEC 60728-115 ED1: In-Building Optical systems for broadcast signal transmissions (TA 5), /2019/10/1

100/3261/CDV, IEC 60098 ED4: Analogue audio disk records and reproducing equipment, /2019/10/1

104/848/FDIS, IEC 60068-2-64/AMD1 ED2: Amendment 1 - Environmental testing - Part 2-64: Tests - Test Fh: Vibration, broadband random and guidance, 2019/8/30

110/1125/CD, IEC 62595-2-5 ED1: Display lighting unit - Part 2-5: Measurement method for optical quantities of non-planar light sources, 2019/9/13

110/1123/CD, IEC 62595-2-4 ED1: Display lighting unit - Part 2-4: Electro-optical measuring methods of laser module, 2019/9/13

113/497/NP, PNW TS 113-497: Nanomanufacturing - Key control characteristics - Part 6-12: Graphene film - Number of layers: Raman spectroscopy, optical reflection, /2019/10/1

113/498/CD, IEC TS 62607-9-1 ED1: Nanomanufacturing - Key control characteristics - Part 9-1: Nanoscale stray magnetic field measurements: Magnetic force microscopy, /2019/10/1

121A/313/FDIS, IEC 60947-5-2 ED4: Low-voltage switchgear and controlgear - Part 5-2: Control circuit devices and switching elements - Proximity switches, 2019/8/30

124/67/CD, IEC 63203-406-1 ED1: Wearable electronic devices and technologies - Part 406-1: Test methods of on-body wearable electronic devices for measuring skin contact temperature, 2019/9/13

JTC1-SC25/2898/FDIS, ISO/IEC 14543-5-102 ED1: Information technology - Home electronic system (HES) architecture - Part 5 -102: Intelligent grouping and resource sharing for HES Class 2 and Class 3 - Remote universal management profile, 2019/9/13

JTC1-SC25/2901/CD, ISO/IEC 14543-4-301: Information technology - Home Electronic System (HES) architecture - Part 4-301: Application Protocols for Home Air Conditioners and Controllers, 2019/9/13

JTC1-SC25/2900/DTR, ISO/IEC 15067-3-7, Information technology - Home Electronic System (HES) application model - GridWise Transactive Energy systems research, development and deployment roadmap, 2019/9/13

JTC1-SC25/2899/FDIS, ISO/IEC 15067-3-3 ED1: Information technology - Home electronic system (HES) application model - Part 3-3: Model of a system of interacting energy management agents (EMAs) for demand-response energy management, 2019/9/13

JTC1-SC41/110/DTR, ISO/IEC TR 30164 ED1: Internet of things (IoT) - Edge Computing, 2019/9/13



Newly Published ISO & IEC Standards

Listed here are new and revised standards recently approved and promulgated by ISO - the International Organization for Standardization – and IEC – the International Electrotechnical Commission. Most are available at the ANSI Electronic Standards Store (ESS) at www.ansi.org. All paper copies are available from Standards resellers (<http://webstore.ansi.org/faq.aspx#resellers>).

ISO Standards

ISO/IEC JTC 1 Technical Reports

[ISO/IEC TR 20000-7:2019](#), Information technology - Service management - Part 7: Guidance on the integration and correlation of ISO/IEC 20000-1:2018 to ISO 9001:2015 and ISO/IEC 27001:2013, \$209.00

[ISO/IEC TR 11801-9907:2019](#), Information technology - Generic cabling systems for customer premises - Part 9907: Title missing, \$103.00

COPPER, LEAD AND ZINC ORES AND CONCENTRATES (TC 183)

[ISO 19976-1:2019](#), Copper, lead and zinc sulfide concentrates - Determination of cadmium - Part 1: Flame atomic absorption spectrometric method, \$103.00

[ISO 19976-2:2019](#), Copper, lead and zinc sulfide concentrates - Determination of cadmium - Part 2: Acid digestion and inductively coupled plasma atomic emission spectrometric method, \$68.00

CORK (TC 87)

[ISO 2386:2019](#), Packed cork - Virgin cork, raw reproduction cork, burnt cork, boiled reproduction cork and raw cork waste - Determination of moisture content, \$45.00

FINE BUBBLE TECHNOLOGY (TC 281)

[ISO 23016-2:2019](#), Fine bubble technology - Agricultural applications - Part 2: Test method for evaluating the promotion of the germination of barley seeds, \$103.00

FINE CERAMICS (TC 206)

[ISO 27447:2019](#), Fine ceramics (advanced ceramics, advanced technical ceramics) - Test method for antibacterial activity of semiconducting photocatalytic materials, \$138.00

FOOTWEAR (TC 216)

[ISO 17700:2019](#), Footwear - Test methods for upper components and insoles - Colour fastness to rubbing and bleeding, \$103.00

HEALTH INFORMATICS (TC 215)

[ISO 12381:2019](#), Health informatics - Explicit time-related expressions for healthcare-specific problems, \$138.00

INNOVATION MANAGEMENT (TC 279)

[ISO 56002:2019](#), Innovation management - Innovation management system - Guidance, \$138.00

MATERIALS, EQUIPMENT AND OFFSHORE STRUCTURES FOR PETROLEUM AND NATURAL GAS INDUSTRIES (TC 67)

[ISO 19901-9:2019](#), Petroleum and natural gas industries - Specific requirements for offshore structures - Part 9: Structural integrity management, \$232.00

PACKAGING (TC 122)

[ISO 22015:2019](#), Packaging - Accessible design - Handling and manipulation, \$138.00

PAINTS AND VARNISHES (TC 35)

[ISO 22557:2019](#), Paints and varnishes - Scratch test using a spring-loaded pen, \$103.00

[ISO 22969:2019](#), Paints and varnishes - Determination of solar reflectance, \$103.00

PAPER, BOARD AND PULPS (TC 6)

[ISO 1762:2019](#), Paper, board, pulps and cellulose nanomaterials - Determination of residue (ash content) on ignition at 525°C, \$68.00

PETROLEUM PRODUCTS AND LUBRICANTS (TC 28)

[ISO 3924:2019](#), Petroleum products - Determination of boiling range distribution - Gas chromatography method, \$185.00

PHOTOGRAPHY (TC 42)

[ISO 18949:2019](#), Imaging materials - Reflection colour photographic prints - Method for testing stability under low humidity conditions, \$68.00

PLASTICS (TC 61)

[ISO 4577:2019](#), Plastics - Polypropylene and propylene-copolymers - Determination of thermal oxidative stability in air - Oven method, \$68.00

[ISO 11963:2019](#), Plastics - Polycarbonate sheets - Types, dimensions and characteristics, \$68.00

[ISO 21970-1:2019](#), Plastics - Polyketone (PK) moulding and extrusion materials - Part 1: Designation system and basis for specifications, \$68.00

[ISO 21970-2:2019](#), Plastics - Polyketone (PK) moulding and extrusion materials - Part 2: Preparation of test specimens and determination of properties, \$68.00

PUMPS (TC 115)

[ISO 20361:2019](#), Liquid pumps and pumps units - Noise test code - Grades 2 and 3 of accuracy, \$138.00

ROAD VEHICLES (TC 22)

[ISO 21755-1:2019](#), Motorcycles - Measurement method for evaporative emissions - Part 1: SHED test procedure, \$138.00

RUBBER AND RUBBER PRODUCTS (TC 45)

[ISO 813:2019](#), Rubber, vulcanized or thermoplastic - Determination of adhesion to a rigid substrate - 90 degree peel method, \$68.00

[ISO 1403:2019](#), Rubber hoses, textile-reinforced, for general-purpose water applications - Specification, \$45.00

[ISO 19013-1:2019](#), Rubber hoses and tubing for fuel circuits for internal combustion engines - Specification - Part 1: Diesel fuels, \$103.00

SHIPS AND MARINE TECHNOLOGY (TC 8)

[ISO 21593:2019](#), Ships and marine technology - Technical requirements for dry-disconnect/connect couplings for bunkering liquefied natural gas, \$103.00

SOLID MINERAL FUELS (TC 27)

[ISO 925:2019](#), Solid mineral fuels - Determination of carbonate carbon content - Gravimetric method, \$68.00

TEXTILES (TC 38)

[ISO 2307:2019](#), Fibre ropes - Determination of certain physical and mechanical properties, \$138.00

[ISO 9554:2019](#), Fibre ropes - General specifications, \$185.00

TOBACCO AND TOBACCO PRODUCTS (TC 126)

[ISO 10362-1:2019](#), Cigarettes - Determination of water in total particulate matter from the mainstream smoke - Part 1: Gas-chromatographic method, \$68.00

TRANSPORT INFORMATION AND CONTROL SYSTEMS (TC 204)

[ISO 17573-1:2019](#), Electronic fee collection - System architecture for vehicle-related tolling - Part 1: Reference model, \$185.00

TYRES, RIMS AND VALVES (TC 31)

[ISO 13325:2019](#), Tyres - Coast-by methods for measurement of tyre-to-road sound emission, \$68.00

VACUUM TECHNOLOGY (TC 112)

[ISO 3529-1:2019](#), Vacuum technology - Vocabulary - Part 1: General terms, \$68.00

ISO Technical Reports**PAINTS AND VARNISHES (TC 35)**

[ISO/TR 22770:2019](#), Preparation of steel substrates before application of paints and related products - Analytical colorimetry method to support visual assessment of surface preparation grades, \$68.00

TRANSPORT INFORMATION AND CONTROL SYSTEMS (TC 204)

[ISO/TR 21735:2019](#), Intelligent transport systems - Framework architecture for plug and play (PnP) functionality in vehicles utilizing nomadic devices, \$68.00

ISO Technical Specifications**HEALTH INFORMATICS (TC 215)**

[ISO/TS 22558:2019](#), Health informatics - Classification of traditional Chinese medicine data sets, \$103.00

PHOTOGRAPHY (TC 42)

[ISO/TS 19567-2:2019](#), Photography - Digital cameras - Part 2: Texture analysis using stochastic pattern, \$138.00

[ISO/TS 21139-21:2019](#), Permanence and durability of commercial prints - Part 21: In-window display - Light and ozone stability, \$103.00

ISO/IEC JTC 1, Information Technology

[ISO/IEC 29192-7:2019](#), Information security - Lightweight cryptography - Part 7: Broadcast authentication protocols, \$68.00

[ISO/IEC 15938-15:2019](#), Information technology - Multimedia content description interface - Part 15: Compact descriptors for video analysis, \$162.00

IEC Standards**OTHER**

[IEC GUIDE 104 Ed. 5.0 en:2019](#), The preparation of safety publications and the use of basic safety publications and group safety publications, \$117.00

PIEZOELECTRIC AND DIELECTRIC DEVICES FOR FREQUENCY CONTROL AND SELECTION (TC 49)

[IEC 60679-1 Ed. 4.0 b:2017](#), Piezoelectric, dielectric and electrostatic oscillators of assessed quality - Part 1: Generic specification, \$235.00

PRINTED ELECTRONICS (TC 119)

[IEC 62899-502-2 Ed. 1.0 en:2019](#), Printed electronics - Part 502-2: Quality assessment - Organic light emitting diode (OLED) elements - Combined mechanical and environmental stress test methods for flexible OLED elements, \$164.00

Proposed Foreign Government Regulations

Call for Comment

U.S. manufacturers, exporters, regulatory agencies and standards developing organizations may be interested in proposed foreign technical regulations notified by Member countries of the World Trade Organization (WTO). In accordance with the WTO Agreement on Technical Barriers to Trade (TBT Agreement), Members are required to notify proposed technical regulations that may significantly affect trade to the WTO Secretariat in Geneva, Switzerland. In turn, the Secretariat issues and makes available these notifications. The purpose of the notification requirement is to provide global trading partners with an opportunity to review and comment on the regulations before they become final.

The USA Inquiry Point for the WTO TBT Agreement is located at the National Institute of Standards and Technology (NIST) in the Standards Coordination Office (SCO). The Inquiry Point distributes the notified proposed foreign technical regulations (notifications) and makes the associated full-texts available to U.S. stakeholders via its online service, Notify U.S. Interested U.S. parties can register with Notify U.S. to receive e-mail alerts when notifications are added from countries and industry sectors of interest to them.

To register for Notify U.S., please visit <http://www.nist.gov/notifyus/>.

The USA WTO TBT Inquiry Point is the official channel for distributing U.S. comments to the network of WTO TBT Enquiry Points around the world. U.S. business contacts interested in commenting on the notifications are asked to review the comment guidance available on Notify U.S. at <https://tsapps.nist.gov/notifyus/data/guidance/guidance.cfm> prior to submitting comments.

For further information about the USA TBT Inquiry Point, please visit: <https://www.nist.gov/standardsgov/what-we-do/trade-regulatory-programs/usa-wto-tbt-inquiry-point>

Contact the USA TBT Inquiry Point at:(301) 975-2918; Fax: (301) 926-1559; E-mail: usatbtep@nist.gov or notifyus@nist.gov.

Information Concerning

American National Standards

Call for Members

INCITS Executive Board – ANSI Accredited SDO and US TAG to ISO/IEC JTC 1, Information Technology

The InterNational Committee for Information Technology Standards (INCITS), an ANSI accredited SDO, is the forum of choice for information technology developers, producers and users for the creation and maintenance of formal de jure IT standards. INCITS' mission is to promote the effective use of Information and Communication Technology through standardization in a way that balances the interests of all stakeholders and increases the global competitiveness of the member organizations.

The INCITS Executive Board serves as the consensus body with oversight of its 40+ Technical Committees. Additionally, the INCITS Executive Board has the international leadership role as the US Technical Advisory Group (TAG) to ISO/IEC JTC 1, Information Technology.

Membership in the INCITS Executive Board is open to all directly and materially affected parties in accordance with INCITS membership rules. To find out more about participating on the INCITS Executive Board, contact Jennifer Garner at jgarner@itic.org or visit <http://www.incits.org/participation/membership-info> for more information.

Membership in all interest categories is always welcome; however, the INCITS Executive Board seeks to broaden its membership base in the following categories:

- Service Providers
- Users
- Standards Development Organizations and Consortia
- Academic Institutions

Society of Cable Telecommunications

ANSI Accredited Standards Developer

SCTE, an ANSI-accredited SDO, is the primary organization for the creation and maintenance of standards for the cable telecommunications industry. SCTE's standards mission is to develop standards that meet the needs of cable system operators, content providers, network and customer premises equipment manufacturers, and all others who have an interest in the industry through a fair, balanced and transparent process.

SCTE is currently seeking to broaden the membership base of its consensus bodies and is interested in new members in all membership categories to participate in new work in fiber-optic networks, advanced advertising, 3D television, and other important topics. Of particular interest is membership from the content (program and advertising) provider and user communities.

Membership in the SCTE Standards Program is open to all directly a materially affected parties as defined in SCTE's membership rules and operating procedures. More information is available at www.scte.org or by e-mail from standards@scte.org.

ANSI Accredited Standards Developers

Approval of Reaccreditation

Accredited Standards Committee AGSC-AGRSS, Auto Glass Safety Council's AGRSS Standards Committee

ANSI's Executive Standards Council has approved the reaccreditation of Accredited Standards Committee AGSC-AGRSS, Auto Glass Safety Council's AGRSS Standards Committee, under its recently revised operating procedures for documenting consensus on ASC AGSC-AGRSS-sponsored American National Standards, effective July 24, 2019. For additional information, please contact the Secretariat of ASC AGSC-AGRSS: Ms. Kathy Bimber, Director of Operations, Auto Glass Safety Council, 20 PGA Drive, Suite 201, Stafford, VA 22554; phone: 540.602.3263; e-mail: KBimber@glass.com.

Reaccreditation

B11 Standards, Inc.

Comment Deadline: August 26, 2019

B11 Standards, Inc., an ANSI member and Accredited Standards Developer (ASD), has submitted revisions to its currently accredited operating procedures for documenting consensus on B11-sponsored American National Standards, under which it was last reaccredited in 2016. As the revisions appear to be substantive in nature, the reaccreditation process is initiated.

To obtain a copy of the revised procedures or to offer comments, please contact: Mr. David Felinski, President, B11 Standards, Inc., P.O. Box 690905, Houston, TX 77269; phone: 832.446.6999; e-mail: dfelinski@b11standards.org. You may view/download a copy of the revisions during the public review period at the following URL: www.ansi.org/accredPR. Please submit any public comments on the revised procedures to B11 by August 26, 2019, with a copy to the ExSC Recording Secretary in ANSI's New York Office (E-mail: Jthompo@ANSI.org).

International Organization for Standardization (ISO)

Establishment of ISO Subcommittee

ISO/TC 215/SC 1 – Genomics Informatics

ISO/TC 215 – Health informatics has created a new ISO Subcommittee on Genomics Informatics (ISO/TC 215/SC 1). The Secretariat has been assigned to Republic of Korea (KATS).

ISO/TC 215/SC 1 operates under the following scope:

Development of standards in the field of Genomics Informatics within the scope ISO/TC 215:

Standardization in the field of health informatics, to facilitate capture, interchange and use of health-related data, information, and knowledge to support and enable all aspects of the health system.

Organizations interested in participating on the U.S. TAG should contact ANSI's ISO Team (isot@ansi.org).

ISO Proposal for a New Field of ISO Technical Activity

Natural and Engineered Stones

Comment Deadline: August 30, 2019

UNI, the ISO member body for Italy, has submitted to ISO a proposal for a new field of ISO technical activity standard on natural and engineered stones, with the following scope statement:

Definitions, requirements and test methods for natural stones relating to rough blocks, slabs, semi-finished and finished products intended for use in building and for monuments and for engineered stones with resin or cement binders or a combination of the two, intended for use in countertops and vanities, floor and wall coverings, ancillary uses, for interior and exterior.

Anyone wishing to review the proposal can request a copy by contacting ANSI's ISO Team (isot@ansi.org), with a submission of comments to Steve Cornish (scornish@ansi.org) by close of business on Friday, August 30, 2019.

U.S. Technical Advisory Groups

Approval of Reaccreditation

U.S. Technical Advisory Group to ISO/TC 304 – Healthcare Organization Management

The reaccreditation of the U.S. Technical Advisory Group to ISO/TC 304, Healthcare organization management has been approved at the direction of ANSI's Executive Standards Council, under its recently revised TAG operating procedures (and with InGenesis, Inc. continuing as TAG Administrator), effective July 19, 2019. For additional information, please contact: Mr. Lee Webster, Secretary, US TAG to ISO/TC 304, InGenesis, 10231 Kotzebue Street, San Antonio, TX 78217; phone: 210.366.0033, ext. 721; e-mail: webster@ingenesis.com

Meeting Notices

Meeting for Accredited Standards Committee (ASC) B109 Standards B109.1, B109.2, B109.3, and B109.4

Meeting Date: Monday, September 23, 2019- 8:00 AM – 4:00 PM CST

Meeting Location: Peppermill Reno, 2707 S. Virginia St., Reno, Nevada 89502--(Teleconference information available upon request)

Purpose: This is the annual ANSI B109 meeting. Updates will be given for each of the B109 standards.

Please register on line at www.aga.org. For more information, contact Jeff Meyers, jmevers@aga.org.

National Waste and Recycling Association (NW&RA)

The National Waste and Recycling Association (NW&RA) serves as the secretariat for the ANSI Z245 Committee on Equipment Technology and Operations for Waste and Recyclable Materials. The next meeting will be August 26, 27, and 28th; the Z245.8 Landfill Safety sub-committee will meet at 2:00pm on August 26; the Z245.1 Mobile Equipment sub-committee will participate in a tour of the American Center of Mobility on August 27 at 8:30; and on August 28th the following sub-committees will meet; Z245.2/.5 Compactors and Balers at 8:00am; Z245.4 at noon; and the Z245.3/.6 Waste Containers at 3:00pm. The location of the meeting is at the [Ann Arbor Marriot Ypsilanti at Eagle Crest](#). Those interested in participating can contact Kirk Sander at ksander@wasterecycling.org or register at : [https://mx.wasterecycling.org/Events/EventDetails.aspx?MeetingId=%7bB0BA6AEA-F186-E911-80FE-](https://mx.wasterecycling.org/Events/EventDetails.aspx?MeetingId=%7bB0BA6AEA-F186-E911-80FE-000D3A011CEC%7d)

[000D3A011CEC%7d](https://mx.wasterecycling.org/Events/EventDetails.aspx?MeetingId=%7bB0BA6AEA-F186-E911-80FE-000D3A011CEC%7d).



American National Standards (ANS) – Where to find Procedures, Guidance, Interpretations and More...

Please visit ANSI's website (www.ansi.org) for resources that will help you to understand, administer and participate in the American National Standards (ANS) process. Documents posted at these links are updated periodically as new documents and guidance are developed, whenever ANS-related procedures are revised, and routinely with respect to lists of proposed and approved ANS. The main ANS-related link is www.ansi.org/asd and here are some direct links as well as highlights of information that is available:

- *ANSI Essential Requirements: Due process requirements for American National Standards* (always current edition): www.ansi.org/essentialrequirements
- ANSI Standards Action (weekly public review announcements of proposed ANS and standards developer accreditation applications, listing of recently approved ANS, and proposed revisions to ANS-related procedures): www.ansi.org/standardsaction
- Accreditation information – for potential developers of American National Standards (ANS): www.ansi.org/sdoaccreditation
- ANS Procedures, ExSC Interpretations and Guidance (including a slide deck on how to participate in the ANS process and the BSR-9 form): www.ansi.org/asd
- Lists of ANSI-Accredited Standards Developers (ASDs), Proposed ANS and Approved ANS: www.ansi.org/asd
- American National Standards Key Steps: www.ansi.org/anskeysteps
- American National Standards Value: www.ansi.org/ansvalue
- ANS Web Forms for ANSI-Accredited Standards Developers - PINS, BSR8|108, BSR11, Technical Report: www.ansi.org/PSAWebForms
- Information about standards Incorporated by Reference (IBR): www.ansi.org/ibr
- ANSI - Education and Training: www.standardslearn.org

If you have a question about the ANS process and cannot find the answer quickly, please send an email to psa@ansi.org.

Please also visit Standards Boost Business at www.standardsboostbusiness.org for resources about why standards matter, testimonials, case studies, FAQs and more.

If you are interested in purchasing an American National Standard, please visit <https://webstore.ansi.org/>

July 2019 Draft

B1.1-20XX
[Proposed Revision of
ASME B1.1-2003 (R2018)]**B1.1 – Unified Inch Screw Threads
(UNR, UNR, and UNJ Thread Forms)**

Tentative

SUBJECT TO REVISION OR WITHDRAWAL
Specific Authorization Required for Reproduction or Quotation
ASME Codes and Standards

Change summary for B1.1-20XX

Table 2B

- Changed minor diameters for various sizes for 16 TPI
- Added missing sizes for 4 TPI

Minor Diameter Changes

					MAX UNJ D1 MINOR DIA.	
10	-	32	UNF	2B	0.168	0.167
12	-	28	UNF	2B	0.189	0.190
1/4	-	32	UNEF	2B	0.227	0.226
5/16	-	20	UN	2B	0.274	0.273
				2B	0.341	0.342
3/8	-	28	UN	2B	0.346	0.347
				2B	0.380	0.379
1/2	-	32	UN	2B	0.475	0.474
				2B	0.516	0.517
11/16	-	16	UN	2B	0.636	0.635
				2B	0.697	0.698
7/8	-	16	UN	2B	0.822	0.823
1	-	16	UN	2B	0.947	0.948
1-1/8	-	16	UN	2B	1.072	1.073
1-1/8	-	18	UNEF	2B	1.079	1.078
1-1/4	-	16	UN	2B	1.197	1.198
1-1/4	-	18	UNEF	2B	1.204	1.203
1-3/8	-	16	UN	2B	1.322	1.323
1-3/8	-	18	UNEF	2B	1.329	1.328
1-1/2	-	16	UN	2B	1.447	1.448
1-1/2	-	18	UNEF	2B	1.454	1.453
1-5/8	-	16	UN	2B	1.572	1.573
1-5/8	-	18	UNEF	2B	1.579	1.578
1-3/4	-	16	UN	2B	1.697	1.698

1-7/8	-	16	UN	2B	1.822	1.823
2	-	16	UN	2B	1.947	1.948
2-1/8	-	16	UN	2B	2.072	2.073
2-1/4	-	16	UN	2B	2.197	2.198
2-3/8	-	16	UN	2B	2.322	2.323
2-1/2	-	16	UN	2B	2.447	2.448
2-5/8	-	16	UN	2B	2.572	2.573
2-3/4	-	16	UN	2B	2.697	2.698
2-7/8	-	16	UN	2B	2.822	2.823
3	-	16	UN	2B	2.947	2.948
3-1/8	-	16	UN	2B	3.072	3.073
3-1/4	-	16	UN	2B	3.197	3.198
3-3/8	-	16	UN	2B	3.322	3.323
3-1/2	-	16	UN	2B	3.447	3.448
3-5/8	-	16	UN	2B	3.572	3.573
3-3/4	-	16	UN	2B	3.697	3.698
3-7/8	-	16	UN	2B	3.822	3.823
4	-	16	UN	2B	3.947	3.948
4-1/8	-	16	UN	2B	4.072	4.073
4-1/4	-	16	UN	2B	4.197	4.198
4-3/8	-	16	UN	2B	4.322	4.323
4-1/2	-	16	UN	2B	4.447	4.448
4-5/8	-	16	UN	2B	4.572	4.573
4-3/4	-	16	UN	2B	4.697	4.698
4-7/8	-	16	UN	2B	4.822	4.823
5	-	16	UN	2B	4.947	4.948
5-1/8	-	16	UN	2B	5.072	5.073
5-1/4	-	16	UN	2B	5.197	5.198
5-3/8	-	16	UN	2B	5.322	5.323
5-1/2	-	16	UN	2B	5.447	5.448
5-5/8	-	16	UN	2B	5.572	5.573
5-3/4	-	16	UN	2B	5.697	5.698
5-7/8	-	16	UN	2B	5.822	5.823
6	-	16	UN	2B	5.947	5.948

Added sizes for 4 TPI

Nominal Size and Threads / in.	Series Des- ignation	Class [Note 3]	Major Diameter		Pitch Diameter and Functional Diameter [Note 2]			Minor Diameter						
			Min.	Max. [Note 4]	Min.	Max.	Toler- ance	UN [Note 5]		UNR [Note 1]		UNJ		
								Min.	Max.	Min.	Max.	Min.	Max.	
			1	2	3	4	5	6	7	8	9	10	11	12
2-5/8	- 4 or 2.6250 - 4	UN	2B	2.6250	...	2.4626	2.4762	0.0136	2.354	2.392	2.381	2.411
			3B	2.6250	...	2.4626	2.4727	0.0101	2.3540	2.3844	2.3814	2.4114
2-7/8	- 4 or 2.8750 - 4	UN	2B	2.8750	...	2.7126	2.7264	0.0138	2.604	2.642	2.631	2.661
			3B	2.8750	...	2.7126	2.7230	0.0104	2.6040	2.6344	2.6314	2.6614
3-1/8	- 4 or 3.1250 - 4	UN	2B	3.1250	...	2.9626	2.9766	0.0140	2.854	2.892	2.881	2.911
			3B	3.1250	...	2.9626	2.9731	0.0105	2.8540	2.8844	2.8814	2.9114
3-3/8	- 4 or 3.3750 - 4	UN	2B	3.3750	...	3.2126	3.2268	0.0142	3.104	3.142	3.131	3.161
			3B	3.3750	...	3.2126	3.2233	0.0107	3.1040	3.1344	3.1314	3.1614
3-5/8	- 4 or 3.6250 - 4	UN	2B	3.6250	...	3.4626	3.4770	0.0144	3.354	3.392	3.381	3.411
			3B	3.6250	...	3.4626	3.4734	0.0108	3.3540	3.3844	3.3814	3.4114
3-7/8	- 4 or 3.8750 - 4	UN	2B	3.8750	...	3.7126	3.7272	0.0146	3.604	3.642	3.631	3.661
			3B	3.8750	...	3.7126	3.7235	0.0109	3.6040	3.6344	3.6314	3.6614
4-1/8	- 4 or 4.1250 - 4	UN	2B	4.1250	...	3.9626	3.9774	0.0148	3.854	3.892	3.881	3.911
			3B	4.1250	...	3.9626	3.9738	0.0112	3.8540	3.8844	3.8814	3.9114
4-3/8	- 4 or 4.3750 - 4	UN	2B	4.3750	...	4.2126	4.2276	0.0150	4.104	4.142	4.131	4.161
			3B	4.3750	...	4.2126	4.2239	0.0113	4.1040	4.1344	4.1314	4.1614
4-5/8	- 4 or 4.6250 - 4	UN	2B	4.6250	...	4.4626	4.4778	0.0152	4.354	4.392	4.381	4.411
			3B	4.6250	...	4.4626	4.4740	0.0114	4.3540	4.3844	4.3814	4.4114
4-7/8	- 4 or 4.8750 - 4	UN	2B	4.8750	...	4.7126	4.7280	0.0154	4.604	4.642	4.631	4.661
			3B	4.8750	...	4.7126	4.7242	0.0116	4.6040	4.6344	4.6314	4.6614
5-1/8	- 4 or 5.1250 - 4	UN	2B	5.1250	...	4.9626	4.9781	0.0155	4.854	4.892	4.881	4.911
			3B	5.1250	...	4.9626	4.9743	0.0117	4.8540	4.8844	4.8814	4.9114
5-3/8	- 4 or 5.3875 - 4	UN	2B	5.3875	...	5.2251	5.2408	0.0157	5.117	5.154	5.144	5.174
			3B	5.3875	...	5.2251	5.2368	0.0117	5.1170	5.1469	5.1439	5.1739
5-5/8	- 4 or 5.6250 - 4	UN	2B	5.6250	...	5.4626	5.4784	0.0158	5.354	5.392	5.381	5.411
			3B	5.6250	...	5.4626	5.4744	0.0118	5.3540	5.3844	5.3814	5.4114
5-7/8	4 or 5.8750 4	UN	2B	5.8750	...	5.7126	5.7286	0.0160	5.604	5.642	5.631	5.661
			3B	5.8750	...	5.7126	5.7246	0.0120	5.6040	5.6344	5.6314	5.6614

FOREWORD

This standard was developed by the Consumer Technology Association's R6 Intelligent Mobility Committee WG 23 Unmanned Aerial Systems.

CONTENTS

1	Scope.....	3
2	Compliance Notation	3
3	Symbols and Abbreviations	3
4	Serial Number	3
4.1	Manufacturer Code.....	3
4.2	Length Code	4
4.3	Manufacturer’s Serial Number	4

Small Unmanned Aerial Systems Serial Numbers

1 SCOPE

This standard outlines the elements and characteristics of a Serial Number to be used by small Unmanned Aerial Systems (UAS).

2 COMPLIANCE NOTATION

As used in this document “shall” and “must” denote mandatory provisions of the standard. “Should” denotes a provision that is recommended but not mandatory. “May” denotes a feature whose presence does not preclude compliance, and implementation of which is optional. “Optional” denotes items that may or may not be present in a compliant device.

3 SYMBOLS AND ABBREVIATIONS

ICAO	International Civil Aviation Organization
MFR	Manufacturer
SN	Serial Number
UAS	Unmanned Aerial System

4 SERIAL NUMBER

All UAS shall be assigned a unique Manufacturer’s Serial Number that becomes part of a UAS’ Serial Number (SN). Each SN shall be comprised of three basic components: the Manufacturer Code, the Length Code, and the Manufacturer’s Serial Number.

**SN = [4 Character MFR CODE][1 Character LENGTH CODE][15 Character
MANUFACTURER’S SERIAL NUMBER]**

4.1 Manufacturer Code

The Manufacturer (MFR) Code is a 4-character code that consists of digits and may include a combination of digits and uppercase letters, except the letters O and I.

The International Civil Aviation Organization (ICAO) is responsible for assigning a unique MFR Code to UAS manufacturers around the world. To obtain a MFR Code, visit

<https://www.icao.int/publications/DOC8643/Pages/Manufacturers-Codes.aspx>.

ANSI/CTA-2063-A

4.2 Length Code

The Length Code is a single character that corresponds to the number of characters in the Manufacturer's Serial Number. Length Code characters range from 1 to 15 in the following way: 1, 2, ..., 9, A=10, B=11, ..., F=15.

4.3 Manufacturer's Serial Number

The Manufacturer's Serial Number will be directly administered by the manufacturer to which the Manufacturer Code is assigned. It is an alphanumeric code with a maximum of 15 characters. The Manufacturer's Serial Number shall include any combination of digits and uppercase letters, except the letters O and I, but may include all digits. The actual number of characters used by the manufacturer shall be indicated by the preceding Length Code.

Example: SN = MFR1C123456789ABC

MFR Code = MFR1

Length Code = C, signifying 12 characters in the following Manufacturer's Serial Number

Manufacturer's Serial Number = 123456789ABC

Public Review #2 Draft

NENA Standard for 9-1-1 Call Processing

ANS CANDIDATE NENA-STA-020.1-2019

National Emergency Number Association (NENA)
 1700 Diagonal Road
 Suite 500
 Alexandria, VA 22314
www.nena.org

Note: This document shows substantive changes resulting from the first (1st) public review. Certain portions of the original text remain to provide the reader with some context and portions that required no edits have been removed to prevent and avoid confusion. You are invited to provide comments on only the struck-through (in Red) or the underlined (in Red) changes. Understand the content clearly before you submit a comment. Do not submit questions or opinions as comments. If you do not understand the content, contact standardscoord@nena.org.

Comments are to be submitted by going to https://dev.nena.org/higherlogic/ws/public/document?document_id=16447&wg_id=a99b431f-54dc-4523-ba53-bd171f25e52d then selecting the arrow to the right of “Document Actions,” selecting “Add a Comment,” completing the comment form, and save.

Legend:

- 1) New words are underlined and Red.
- 2) Removed words are struck-through and Red.

2.2 Call taking standards

2.2.1 Standard for answering 9-1-1 Calls

Ninety ~~five~~ percent (~~95~~90%) of all 9-1-1 calls arriving at the Public Safety Answering Point (PSAP) SHALL be answered within (~~≤~~) fifteen (15) seconds. Ninety-~~five~~nine (~~99~~95%) of all 9-1-1 calls SHOULD be answered within (~~≤~~) ~~forty-twenty~~ (40)20 seconds. A call flow diagram is available in Exhibit A.

The application of the standard SHALL begin at the time of Call Arrival and extend to the time of Call Answer at the point when two-way communication can begin.

The interval between Call Arrival and Call Answer should be evaluated, at a minimum, for each preceding month using a full month of data. Determining if a PSAP has successfully met the call interval metric of ~~95~~90% in 15 seconds (and ~~99~~95% in 40-20 seconds), should be based upon the ~~one-month~~ evaluation. An authority having jurisdiction (AHJ) may measure this metric on a weekly or daily basis for a more detailed analysis.

2.2.5.1 Location/Address Verification

The telecommunicator ~~will~~ **SHALL** verify all location information conveyed about the emergency in order to obtain the most accurate dispatchable location for emergency services response. Verification policies and associated procedures can vary based on dispatch center coverage topography and the unique characteristics of their call handling solutions.

2.2.6 Transferring emergency calls

When calls need to be transferred to another PSAP, the telecommunicator **SHALL** advise the caller which PSAP they are being transferred to, in addition to advising the caller to stay on the line while the call is being transferred, such as “Please do not hang up; I am connecting you with (name of the agency).” ~~The telecommunicator will~~ **SHALL** then initiate the transfer without delay. The telecommunicator **SHALL** stay on the line to announce the call to the transfer PSAP call taker/telecommunicator (a.k.a., “warm transfer” or “attended transfer”), and **SHOULD** relay the pertinent information, including, but not limited to:

- Location
- Callback number
- Nature of the call
- Known safety information

A local or regional policy **MAY** exist between primary and secondary PSAPs, or agencies that participate in a regional system, that addresses **unattended call transfers; however, NENA recommends against unattended transfers.**

2.2.8.5 Misrouted 9-1-1 calls

Calls may be received at a PSAP that are intended for another PSAP. These calls **SHOULD** be transferred to the PSAP having jurisdiction for the location of the emergency, if possible and appropriate, after advising the caller of the transfer. Direct transfer capability or other enhanced transfer/relay methods to other PSAPs **SHOULD** be available to the telecommunicator. Telephone numbers of neighboring PSAPs bordering the PSAP jurisdiction **SHOULD** be made available on a frequently called number list or by single button transfer for ease of operation. Out-of-area PSAP contact information may be found in the NENA PSAP Registry or via the NLETS system. **Details of the misroute SHOULD be sent to the GIS data providers of each involved jurisdiction, so they can review tier boundaries and check for technical errors.**

2.2.8.6 Alternate Routed 9-1-1 calls

Alternate routed calls are activated automatically or sometimes manually when 9-1-1 calls cannot be delivered by the 9-1-1 network to the appropriate primary PSAP. Calls of this type are those routed to another PSAP based upon the Policy Routing Rules of the original receiving PSAP, the existing alternate routes established by legacy PSAPs, or those which are default routed. These calls SHOULD be transferred to the PSAP having jurisdiction for the location of the emergency, if possible and appropriate, after advising the caller of the transfer. If the PSAP having jurisdiction is unable to receive the call, local policy SHOULD dictate how to process the call. Direct transfer capability or other enhanced transfer/relay methods to other PSAPs should be available to the telecommunicator. Telephone numbers of neighboring PSAPs bordering the PSAP jurisdiction SHOULD be made available on a frequently called number list or by single button transfer for ease of operation. Out-of-area PSAP contact information may be found in the NENA PSAP Registry or via the NLETS system.

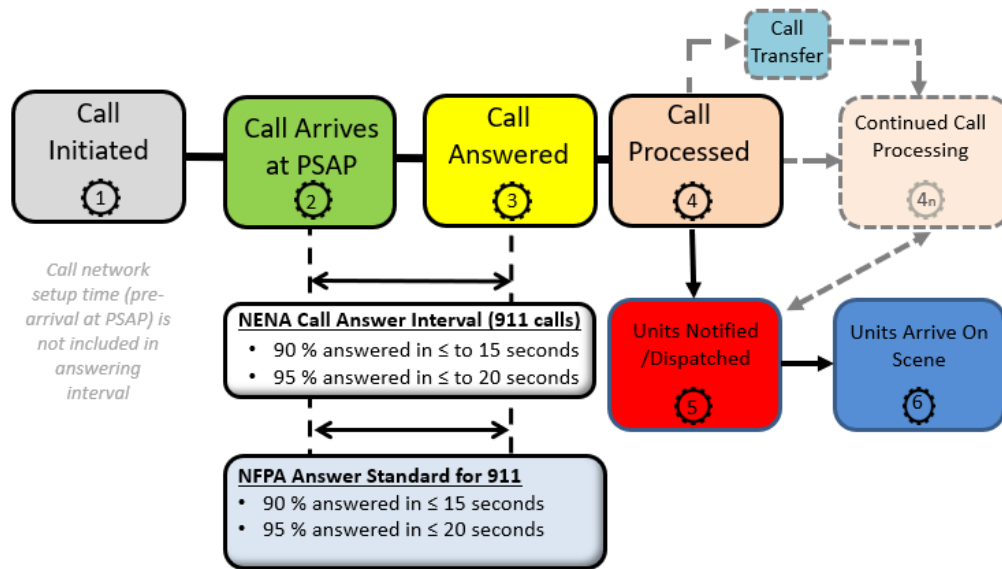
2.2.8.9 Repetitive Harassing 9-1-1 Callers.

Repetitive 9-1-1 callers create a type of denial of service (DoS) where their calls intentionally tie up a Telecommunicator as well as potentially block out legitimate 9-1-1 calls. In legacy 9-1-1 networks, E9-1-1 call locations have been used by PSAPs to assist law enforcement in investigating 9-1-1 abuse calls. In NG9-1-1 Core Services, new call blocking techniques can be utilized in accordance with local policy².

² NENA-INF-023.1-2017 NENA Call Blocking Information Document

Exhibit A – Call Process Diagram

NENA Call Answering Interval for 9-1-1 Calls*



- * "Call" includes text messages and non-human initiated alerts as defined in NENA-STA-010.2 (formerly NENA 08-003).
- The NFPA standard is included here for context of other industry measurements. This NENA standard only addresses 9-1-1 call answering requirements to be measured between Step 2 and Step 3 in the above diagram.
- NENA Call Answer Interval is further clarified that calls should be answered in Less Than or Equal to (\leq) either 15 seconds or 20 seconds as appropriate.
- The authority having jurisdiction defines what the jurisdiction considers to be an emergency call when applying the call answer standard.
- All operational steps in the lifecycle of a 9-1-1 call are provided for referential purposes only.

Tracking number 53i115r3
 © 2019 NSF

Revision to NSF/ANSI 53 – 2018
 Issue 115, Revision 3 (July 2019)

Not for publication. This document is part of the NSF International standard development process. This draft text is for circulation for review and/or approval by a NSF Standards Committee and has not been published or otherwise officially adopted. All rights reserved. This document may be reproduced for informational purposes only.

[Note – the recommended changes to the standard which include the current text of the relevant section(s) indicate deletions by use of ~~strikeout~~ and additions by **gray highlighting**. Revision 2 and 3 additions are highlighted in **yellow**. Rationale statements are in *italics* and only used to add clarity; these statements will NOT be in the finished publication.]

NSF/ANSI Standard
 for Drinking Water Treatment Units —

Drinking Water Treatment Units —
 Health Effects

.
 .
 .

7 Elective performance claims – Test methods

.
 .
 .

7.2 Chemical reduction claims

.
 .

7.2.6 Non-regenerating PFOA / PFOS reduction testing

This protocol is designed for non-regenerable POU and POE devices using anion exchange media.

7.2.6.1 PFOA/ PFOS reduction claim

Claims for PFOA / PFOS reduction are permitted when tested in accordance with Section 7.2.6 as long as maximum effluent concentrations in Table 7.7 are not exceeded.

**Table 7.7
 PFOA/PFOS reduction requirements**

Substance	Average influent challenge (mg/L)	Maximum effluent concentration (mg/L)	US EPA Method(s)	Compound
PFOA (perfluorooctanoic acid CAS #335-67-1) and PFOS (perfluorooctane sulfonate CAS # 1763-23-1) ¹	0.0015 ± 30 10 %	0.00007 ²	Refer to Annex L ³	PFOA and PFOS

¹ Influent challenge levels for PFOS were based on the upper percentile concentration per EPA's UCMR3 occurrence data (2013-2015) (the concentration for which there is high probability [P <0.01] that 99% of the population will be exposed to waters of lower concentration). Influent challenge levels for PFOA were based on the upper percentile concentration of private well and public water supply sampling in Hoosick Falls New York (the concentration for which there is high probability [P <0.10] that 90% of the population will be exposed to waters of

Table 7.7
PFOA/PFOS reduction requirements

Substance	Average influent challenge (mg/L)	Maximum effluent concentration (mg/L)	US EPA Method(s)	Compound
lower concentration). This influent concentration is higher than the maximum concentration per US EPA's UCMR3 occurrence data (2013-2015). PFOS and PFOA will be added gravimetrically in a ratio of five parts PFOA to 10 parts PFOS by weight to achieve the total influent concentration.				
² Total of both PFOS and PFOA. Based on US EPA Health Advisory level which includes a margin of protection for the most sensitive populations.				
³ Any needed modification / improvement on the method shall be performed as described and validated within the method. If alternate methods are used they shall be validated as equivalent or better in precision and accuracy than the specified method.				

7.2.6.2 Apparatus

Refer to 7.1.2 Figure 2 for an example of the test apparatus.

7.2.6.3 Analytical methods

All analyses shall be conducted in accordance with the applicable methods referenced in Section 2 and Annex L.

7.2.6.4 Premature filter plugging

If a product prematurely plugs prior to the completion of the required test volume, the volume of the final sample point collected prior to plugging becomes the final test volume to determine capacity.

Applicable actions to remediate premature filter plugging for this tests method are contained in Annex H, Sections H.1, H.2, H.3, and H.6.

7.2.6.5 PFOA / PFOS reduction test water

a) A water supply shall be treated by reverse osmosis, then shall be treated by deionization (RO/DI) water and shall have a conductivity of less than 2 $\mu\text{S} / \text{cm}$.

b) All chemical additions shall take place either after the test tank is filled with the RO/DI water, or while the test tank is being filled. Reagent grade chemicals shall be used for all additions to adjust the RO/DI water to meet the following specific characteristics:

Table 7.8
PFOA/PFOS influent water characteristics

Parameter	Target value	Overall average tolerance	Single point tolerance ¹
SO ₄ ⁻²	200 mg/L	± 20%	± 30%
Cl ⁻	100 mg/L	± 20%	± 30%
alkalinity as CaCO ₃	200 mg/L	± 20%	± 30%
PFOA	0.0005 mg/L	± 10%	± 20% 40%
PFOS	0.0010 mg/L	± 10%	± 20% 40%
temperature	20 °C (68 °F)	± 2.5 °C (± 5 °F)	—
turbidity	< 1 NTU	—	—

Tracking number 53i115r3
© 2019 NSF

Revision to NSF/ANSI 53 – 2018
Issue 115, Revision 3 (July 2019)

pH	7.5	± 0.5	—
¹ Equals average influent challenge concentration variability plus one of the following, in order of availability: <ol style="list-style-type: none"> 1. Acceptable continuing calibration verification (CCV) limits stated in the appropriate US EPA Method. 2. Acceptable spike recoveries as stated in the appropriate US EPA Method. 3. Opinion of laboratory professionals – no guidance available in US EPA Method. 			

Rationale: Revision 2 - Revised overall average and single influent tolerance levels to be consistent with Table 7.7 per comment by R. Herman on r1 ballot.

- c) Dissolve enough sodium bicarbonate (NaHCO_3) in RO/DI water to achieve a test tank concentration of ~~336 mg/L NaHCO_3 . This should be equivalent to 200 mg/L of alkalinity expressed as CaCO_3 . Stir and transfer the solution to the test tank.~~
- d) Adjust the pH of the test tank solution using hydrochloric acid (HCl) or sodium hydroxide (NaOH) to 7.5 ± 0.5 . Record the amount HCl used.
- e) Dissolve enough magnesium sulfate ($\text{MgSO}_4 \cdot 7\text{H}_2\text{O}$) in RO/DI water to achieve a test tank concentrations of 200 mg/L as sulfate. Sodium Sulfate ($\text{NaSO}_4 \cdot 7\text{H}_2\text{O}$) may be substituted for 75% of the magnesium sulfate if the presence of hardness interferes with the proper operation of the device under test.
- f) Dissolve enough perfluorooctanoic acid (PFOA) and perfluorooctanesulfonic acid (PFOS) in RO/DI water to achieve test tank concentration of 0.0005 mg/L of PFOA and 0.0010 mg/L of PFOS.
- g) Mix and measure the final pH, and adjust as needed. Mixing shall be minimized thereafter throughout the duration of the test.
- h) Dissolve enough sodium chloride (NaCl) in RO/DI water to achieve a test tank concentration of 100 mg/L of chloride. Balance this number with the amount of chlorides added from the HCl for pH control to maintain a target of 100 mg/L. Stir and transfer to the test tank.
- i) Each tank of water prepared shall have all of the parameters specified in Table 7.8 verified by analytical methods.

7.2.6.6 Cycle time

The systems shall be operated on a 50%-on / 50%-off cycle basis with a 15 to 40 min cycle, up to 16 h per 24 h period, followed by an 8 h rest under pressure (a 10%-on / 90%-off cycle may be used if requested by the manufacturer for POU systems but for POE systems only 50%-on / 50%-off cycle shall be used).

7.2.6.7 Method – POU

Two systems shall be conditioned using the PFOA / PFOS reduction water specified in Section 7.2.6.5 with the test contaminant present. The conditioning volume shall be excluded from the volume measured as the influent challenge volume for capacity and sample point determination.

7.2.6.7.1 Plumbed-in systems without reservoirs and all faucet-mounted systems

Two systems shall be conditioned in accordance with the manufacturer's instructions and Section 7.2.6.7.

The systems shall be tested using the influent challenge water at the maximum flow rate attainable by setting an initial dynamic pressure of 410 ± 20 kPa (60 ± 3 psi). The pressure shall not be readjusted although the system may experience some change in dynamic pressure. The operating cycle specified in Section 7.2.6.6 shall be used.

7.2.6.7.1.1 Refrigerator filters without integral flow control

Chemical reduction testing for refrigerator filters without an integral automatic fixed flow rate control shall be performed at a controlled flow rate that is equal to or greater than the rated service flow of the refrigerator filter system and refrigerator plumbing.

7.2.6.7.1.2 Refrigerator filters without integral flow control, with water dispenser and ice maker

If the refrigerator filter does not include an integral automatic fixed flow rate control, and supplies water to both a water dispenser and an ice maker, then any chemical reduction testing shall be performed at a controlled flow rate equal to or greater than the tested flow rate of the icemaker or the tested flow rate of the water dispenser, whichever is greater.

7.2.6.7.2 Plumbed-in systems with reservoirs

Two systems shall be conditioned in accordance with the manufacturer's instructions and Section 7.2.6.7.

The system shall be tested using the influent challenge water at the maximum flow rate attainable by setting an initial dynamic pressure of 410 ± 20 kPa (60 ± 3 psi). The pressure shall **not** be readjusted although the system may experience some change in dynamic pressure. Where the design of the system does not lend itself to the operating cycle specified in Section 7.2.6.6, the operating cycle shall be a repetitive complete filling and emptying of the reservoir. It is acceptable to run this cycle continuously for 24 h per day.

7.2.6.7.3 Nonplumbed pour-through-type batch treatment systems

Two systems shall be conditioned in accordance with the manufacturer's instructions and Section 7.2.6.7.

If the effluent reservoir capacity is equal or greater than two times the volume of the influent reservoir, multiple successive influent reservoir fills shall be performed until the remaining volume in the effluent reservoir is less than the influent reservoir volume. The resulting volume for each filling of the effluent reservoir shall be the batch volume. If the volume of the effluent reservoir is less than two times the volume of the influent reservoir, the batch volume shall be the influent reservoir volume.

Example:

Influent volume (L)	Effluent volume (L)	Batch (L)
1.0	1.8	1.0
1.2	2.5	2.4
1.4	4.0	2.8

7.2.6.7.3.1 Systems with a manufacturer's recommended use pattern

Two systems shall be tested using the appropriate influent challenge water using the manufacturer's use pattern. The use pattern shall include information about the rest period between the fillings. The rest period after the influent reservoir has drained given by the manufacturer shall not exceed 75 min and include a tolerance of at least ± 15 min. The systems shall be operated up to 16 h per 24 h period, followed by an 8 h rest period. Exceptions to the rest period are permissible for laboratory operational needs (e.g., water preparation, equipment malfunctions).

7.2.6.7.3.2 Systems without a manufacturer's recommended use pattern

Two systems shall be tested using the appropriate influent challenge water. The systems shall be operated up to 16 h per 24 h period, followed by an 8 h rest period. The test cycle shall include a rest period of 30 to 90 min after the influent reservoir has drained. The total volume per day shall be limited to

Tracking number 53i115r3
© 2019 NSF

Revision to NSF/ANSI 53 – 2018
Issue 115, Revision 3 (July 2019)

10 batches. Exceptions to the rest period are permissible for laboratory operational needs (e.g., water preparation, equipment malfunctions).

7.2.6.7.3.3 Mouth drawn drinking water treatment units

Products meeting the definition for mouth drawn drinking water treatment unit shall be evaluated using the method specified in Annex F.

Two systems shall be conditioned in accordance with the manufacturer's instructions and Section 7.2.6.7.

7.2.6.7.3.4 Squeeze bottle drinking water treatment units

Products meeting the definition for squeeze drawn drinking water treatment unit shall be evaluated using the method specified in Annex G.

Two systems shall be conditioned in accordance with the manufacturer's instructions and Section 7.2.6.7.

7.2.6.8 Method – POE – Full scale units

Two systems shall be conditioned in accordance with the manufacturer's instructions using the PFOA / PFOS reduction water specified in Section 7.2.6.5 with the test contaminant present. The conditioning volume shall be excluded from the volume measured as the influent challenge volume for capacity and sample point determination. The systems shall be tested using the influent challenge water (Section 7.2.6.5) at the rated service flow at an initial dynamic pressure of 410 ± 20 kPa (60 ± 3 psi). The pressure shall not be readjusted although the system may experience some change in dynamic pressure. The flow rate shall be controlled to the rated service flow or the maximum flow rate achievable through the entire test, but if the flow rate cannot be maintained at greater than 25% of the rated service flow, the test shall be terminated. The operating cycle specified in Section 7.2.6.6 shall be used.

7.2.6.9 Sampling

The effluent of the test system shall be sampled after a minimum of one bed volume has passed through the column or half of the cycle "on" time has passed, whichever is greater.

7.2.6.9.2 PFOA and PFOS

For systems with performance-indication devices, during the "on" portion of the cycle, influent and effluent samples shall be collected for PFOA and PFOS analysis at the start of the test (after the passage of 10 unit volumes) and at 25%, 50%, 75%, 100%, and 120% of the estimated capacity. For systems without performance indication device, during the "on" portion of the cycle, influent and effluent samples shall be collected for PFOA and PFOS analysis at the start of the test (after the passage of 10 unit volumes) and at 50%, 100%, 150%, 180% and 200% of the estimated capacity.

Rationale: Revision 2 – Revised for clarity per R. Herman's comment on r1 ballot.

DrftPDS-3ChngsDrftPDS02BSRRESNETICC1101-201x_BSR8

***Draft PDS-03 Substantive Changes to Draft PDS-02
Proposed Standard BSR/RESNET/ICC 1101-201x***

- 4.5.6. Determining Daily Dishwasher Water Use for the Rated Home.** Rated Home daily dish washer water use shall be calculated as follows:

$$DWgpd = [(88.4 + 34.9 * Nbr) * (12 / dWcap) * gal/cycle / 365 \text{ (Eq 4.5-7)}]$$

Where:

Nbr= number of bedrooms in the Rated Home

dWcap= capacity of the dishwasher in the Rated Home (in place settings) as included in the manufacturer's data

(88.4+34.9*Nbr) = best fit regression equation for dishwasher cycles per year using data from the 2005 Residential Energy Consumption Survey.

gal/cycle can be entered either directly or as listed on:

- a) The ENERGY STAR product finder database
- b) The California Energy Commission (CEC) Modernized Appliance Efficiency Database
- c) The Department of Energy (DOE) Compliance Certification Management System (CCMS)

OR gal/cycle can be calculated from the Energy Guide label as follows (developed using the equations from 10 CFR 430, Subpart B, Appendix C and values on the Energy Guide label) to isolate the energy used by the appliance from the energy used in water heating):

$$gal/cycle = h2o_kWh * elec_h2o$$

$$h2o_kWh = LER - Appl_kWh$$

LER= Labeled Energy Rating in kWh per year per the dishwasher Energy Guide label

$$Appl_kWh = \text{dishwasher appliance annual electric energy use} = (GHWC * gas_h2o / \$_therm - LER * \$_kWh * elec_h2o / per_kWh) / (\$_kWh * gas_h2o / \$_therm - elec_h2o)$$

where

$\$_kWh$ = the cost of one kWh per the dishwasher Energy Guide label

$\$_therm$ = the cost of one therm per the dishwasher Energy Guide label

GHWC= Gas Hot Water Cost per the dishwasher Energy Guide label

DrftPDS-3ChngsDrftPDS02BSRRESNETICC1101-201x_BSR8

elec_h2o= gallons of hot water use per cycle per unit of annual electricity use in
gal·y/kWh·cyc = $1/(80*0.0024*215208) = 0.024230.02504$

gas_h2o = gallons of hot water use per cycle per unit of annual gas use in gal·y/therm·cyc =
 $1/(80*8.2/0.75*215208/100,000) = 0.531760.5497$

80= the average hot water heater temperature rise per 10 CFR 430, Subpart B, Appendix C

0.0024 = specific heat of water in kWh/gal·F per 10 CFR 430, Subpart B, Appendix C

8.2 = specific heat of water in Btu/gal·F per 10 CFR 430, Subpart B, Appendix C

0.75 = recovery efficiency of gas hot water heater per 10 CFR 430, Subpart B, Appendix C

215= cycles per year per 10 CFR 430, Subpart B, Appendix C

This value is determined in accordance with ANSI/RESNET/ICC 301Addendum A.

BSR/UL 13, Standard for Power-Limited Circuit Cables,***Correction of a Reference to -LS, Deletion of Limited Combustible*****PROPOSAL*****28.4 Vertical-tray fire and smoke-release test for cables with "-LS" "ST-1" marking***

28.4.1 Each type of power limited circuit cable or PLTC cable that is surface marked "-LS" "ST-1" in accordance with 47.1(a) shall comply with the limits for smoke release and cable char height stated in the Standard for Vertical-Tray Fire-Propagation and Smoke-Release Test for Electrical and Optical-Fiber Cables, UL 1685, when sets of specimens as described in 28.4.2 are tested in either of the flame exposures described in UL 1685 with smoke measurements included.

~~43 Limited Combustible~~

-

~~43.1 Type CL2P or CL3P plenum cable that is marked as in 40.1(n) to indicate limited combustible, shall comply with the requirements in NFPA 90A when tested in accordance with the Standard Test Method for Potential Heat of Building Materials, NFPA 259, and the Standard for Test for Surface Burning Characteristics of Building Materials, UL 723 (NFPA 255).~~

UL copyrighted material. Not authorized for further reproduction without permission from UL.

BSR/UL 539, Standard for Safety for Single and Multiple Station Heat Alarms

PROPOSAL

1. Abnormal Operations (Fire) Test

27A Abnormal Operation Fire Test

27A.1 An alarm shall be constructed such that it will initiate and enunciate an alarm signal for a period of not less than 10 seconds before being consumed by heat from a fire.

27A.2 For this test, four samples are to be mounted on a 4-foot (1.2 m) square board that is placed 5 feet (1.5 m) above the center of two 3-foot (0.9-m) square steel pan filled with denatured alcohol. The alcohol is to be ignited and the time and condition of the sample noted when an alarm is initiated.

UL copyrighted material. Not authorized for further reproduction without prior permission from UL.

BSR/UL 651, Standard for Schedule 40, 80, Type EB and A Rigid PVC Conduit and Fittings

1. Clarifications to Schedule 40 and 80 for use with 90° Wire Performance Testing

2. Correct to Figure 6.9

3. Clarification of Impact Test after Cold Conditioning, 7.3.6A is for Service Entrance Head Style Only Push-Fit Fittings

PROPOSAL

1. Clarifications to Schedule 40 and 80 for use with 90° Wire Performance Testing

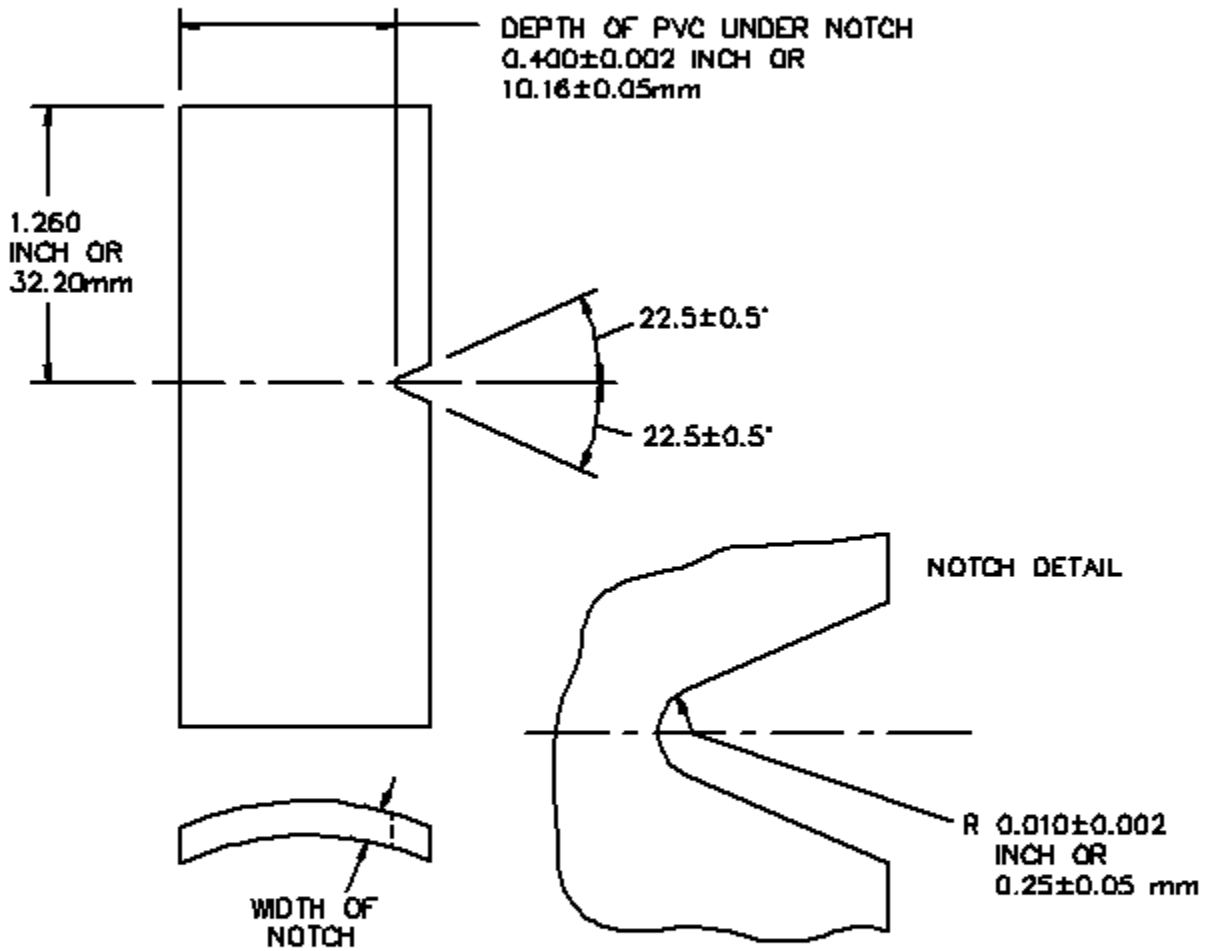
6.15.1.3 A total of ~~90~~ 200 specimens of the 2 (53) trade size of rigid PVC conduit, each 6 inches (150 mm) long, are to be used for the test (see 6.15.2.1.1 concerning extra specimens needed for preliminary tests). Seventy five specimens, are to be placed upright in a full-draft circulating-air oven maintained at a temperature of $80.0 \pm 1.0^{\circ}\text{C}$ ($176.0 \pm 1.8^{\circ}\text{F}$) on open wooden racks and spaced to maintain the full circulation of air around and through the specimens. The remaining 15 specimens are to be unaged and unconditioned. At the end of each of the ~~five~~ eleven time intervals indicated below, a set of 15 specimens is to be removed from the oven and given 16 - 96 hours to cool in still air to a temperature of $23.0 \pm 2.0^{\circ}\text{C}$ ($73.4 \pm 3.6^{\circ}\text{F}$). The specimens are to be laid one at a time on a flat steel plate that is 1/2 inch (13 mm) thick and are to be impacted by means of a solid right-circular steel cylinder with a flat impact face having rounded edges. The cylinder used is to be chosen as indicated in 6.15.2.1.1 ~~from three sizes, each size cylinder having a diameter of 2 inches (51 mm) and a weight not less than;~~ 10 lb (4.54 kg), 20 lb (9.1 kg), and 40 lb (18.1 kg). All 15 of the unaged and unconditioned specimens are to be impacted after respective periods of oven aging for 60, ~~90~~, 120, 150, 180, 210, 240, 270, 300, 330 and 360 days. The up-and-down method described in 6.15.2 is to be used.

6.15.2.1.1 Preliminary tests are to be conducted, using as many extra specimens as needed, to determine the approximate height from which the steel cylinder has to fall to produce a crack, split, or tear that is visible on the outside surface of a specimen. An unacceptable result is to be recorded if the impact made by the steel cylinder causes any crack, split, or tear longer than 1/32 inch (0.8 mm) on the outer surface of a specimen. The weight of the steel cylinder to be used in the preliminary tests is the ~~weight from the three weights described in 6.15.1.3~~ weight that produces an unacceptable crack, split, or tear in a specimen from a height of 24 - 120 inches (600 - 3000 mm) taken in increments of 6 inches (150 mm). The approximate height determined from this procedure is to be recorded in inches or mm as H_0 .

2. Correct to Figure 6.9

Table Figure 6.9

Specimen showing notch



SA1914

UL

from UL

3. Clarification of Impact Test after Cold Conditioning, 7.3.6A is for Service Entrance Head Style Only Push-Fit Fittings

7.3.6A.2 ~~Push~~ Service-entrance head push-fit fittings

7.3.6A.2.1 Six as-received service-entrance head push-fit fittings of each trade size are to be conditioned at minus $20 \pm 1^{\circ}\text{C}$ (minus $4 \pm 2^{\circ}\text{F}$) for 5 hours. After removal from the conditioning, the samples shall withstand an impact without splitting, crushing, breaking, dislodging any ferrous components or causing any damage to the push-fit fitting preventing usage.

7.6.1.1 Push-fit fittings shall comply with the following:

- a) Water absorption test, 7.2.1;
 - b) Flammability test, 7.2.2;
 - c) Heat Distortion test, 7.2.3;
 - d) Extrusion/molding-process test, 7.2.4;
 - e) Identification tests, 7.2.5;
 - f) Resistance to Crushing test, 7.2.6;
 - g) Low-temperature handling test, 7.2.7;
 - h) Bending test, 7.2.8;
 - i) Pull test, 7.2.9; and
 - j) Impact test after cold conditioning, 7.3.6A(Service-Entrance Head Style Only).
-

BSR/UL 1247, Standard for Safety for Diesel Engines for Driving Stationary Fire Pumps

1. Generator or Alternator Output Current

PROPOSAL

17.2 A generator or alternator shall deliver the output current to the batteries and not deliver output current directly to the fire pump controller through terminal 7, if provided

2. Revisions to Clarify Requirements and Update Test Details

PROPOSAL

20.1.1.2 With the automatic heater in 9.1 disconnected and after a minimum of 8 hours of non-operation, the engine is to be started, accelerated as quickly as possible to rated speed (± 20 rpm) and maximum sustainable power output, operated at that speed and power output for not more than 30 seconds. For electric starting systems, the engine air intake, room ambient temperatures and starting equipment shall be conditioned to a temperature not exceeding 80°F (26.6°C) prior to the engine start. For hydraulic starting systems, the engine air intake, room ambient temperatures and starting equipment shall be conditioned at 32°F (0°C) prior to the first engine start.

3. Revision to Over-current Protection Criteria

Responses to comments have been posted within the UL 1247 Proposal Review Work Area dated 2019-02-15. No changes have been made to the previously proposed revision. Note that the purpose of a recirculation of comments only is intended solely to provide STP members the opportunity to review the comments and responses, and to either reconsider their vote or cast a first-time vote. New comments on the previously proposed revision for this Topic will not be provided with a specific response. Any additionally desired changes should be submitted as a new proposal request via CSDS.

4. Revision to ECM and Switching Equipment Criteria

PROPOSAL

7.2.3 The primary and alternate ECM, automatic switching module, and contacts of the selector switch shall be installed in an enclosure complying with the applicable requirements of the Standard for Enclosures for Electrical Equipment, Non-Environmental Considerations, ANSI/UL 50 and the Standard for Enclosures for Electrical Equipment, Environmental Considerations, ANSI/UL 50E with a minimum Type 2 rating. The ECM's integral enclosure shall be permitted to be used to comply with the requirements of ANSI/UL 50 and ANSI/UL 50E with a minimum Type 2 rating.

5. High Engine Temperature Alarm Delay on Engine Restarts

PROPOSAL

6.1 The following instrumentation and control devices shall be securely mounted on the engine or its integral fire pump controller (see the Exception to 6.5):

- a) A tachometer to indicate engine rpm, including zero, at all times. Tachometers with digital display shall be permitted to be blank when the engine is not running. If the tachometer is not of the totalizing type, an hour meter shall be provided to indicate total time of operation.
- b) An oil pressure display to indicate engine lubricant pressure;
- c) A temperature display with numerical indication of the primary coolant loop temperature;
- d) A means to activate a common supervisory signal to a fire pump controller at a high coolant temperature specified by the manufacturer; This signal shall incorporate a time delay if the engine is restarted within (30) minutes, and delay the signal for (30) seconds.
- d1) *Deleted April 30, 2017;*
- e) An ammeter or voltmeter(s) to indicate the direction of alternator or generator charge;
- f) For pneumatic or hydraulic starting, a display to indicate reservoir pressure and a means to activate a signal to a fire pump controller at a low pressure specified by the manufacturer;
- g) A means to activate a common supervisory signal to a fire pump controller at a low engine lubricant pressure specified by the manufacturer;
- h) An adjustable speed controller (governor) that is lockable at the required setting;
- i) A means to monitor engine speed and shut down the engine (with manual resetting) when the speed is between 110 and 120 percent of its rated speed and activate a signal to a fire pump controller when the engine is shutdown;
- j) A speed-sensitive means to signal engine running and crank termination conditions;
- k) For an engine equipped with electronic fuel management control, an automatically and manually operated selector switch, which has no off position, shall be provided;
- l) For an engine equipped with electronic fuel management control, a visual indicator on the engine and common supervisory signal to a fire pump controller shall be provided when the engine is being operated by the alternate ECM;
- m) For an engine equipped with electronic fuel management control, a common supervisory signal shall be provided to a fire pump controller for any condition of fuel injection malfunction, low fuel pressure, or primary sensor malfunction;

- n) For an engine equipped with electronic fuel management control, a common supervisory signal to a fire pump controller shall be provided when a failure occurs of the Primary or Alternate ECM, when selected;
- o) For an engine equipped with electronic fuel management control, a signal shall be provided when a failure occurs of both the primary and alternate ECMs; and.
- p) For an engine equipped with electronic fuel management control, a means shall be provided to prevent cranking motor damage during automatic switching while the engine is rotating. See 20.6.4 (g).
- q) A means to activate a common supervisory signal to a fire pump controller at a minimum engine temperature specified by the manufacturer when the engine is in standby condition; and
- r) A means to activate a common supervisory signal to a fire pump controller at a high raw water temperature specified by the manufacturer when the engine is running.

6. Electrically Operated Speed Control for Mechanical Fuel Injected Engines

PROPOSAL

7.1.1 Mechanical fuel management control shall provide a mechanical means to control the fuel injection process, and a mechanical or electrical means to control engine speed. If an electrical means is used to control engine speed, this control shall comply with all of the following:

- a) Only receive input from the engine speed sensor(s) and a demand for engine shutdown to achieve its intended purpose.
- b) Provide override speed control within 10 percent of the rated speed.
- c) In the event of a failure of the electric governing card or speed sensor used as a part of the electrical control assembly (excluding loss of input power to governing card), the engine shall be arranged to return to the rated speed as required in 20.4 by means such as the use of a redundant governing card or by a mechanical override.

BSR/UL 2238, Cable Assemblies and Fittings for Industrial Control and Signal Distribution

1. Class 2 Circuits - Accessibility of Live Parts

PROPOSAL

1.7 This standard does not cover male-to-male cable assemblies with the exception of Class 2 circuits.

2.2A CLASS 2 CIRCUIT - A control circuit supplied from a source having limited voltage (30 V rms (42 V peak) or less, such as from the secondary of a Class 2 transformer, and rated for use with Class 2 remote-control or signaling circuits. The potential shall not be greater than 15V rms (21.2 V peak) under conditions where wet access may occur, including products identified for use outdoors..

6.1.1 Uninsulated live parts, other than exposed wiring terminals, and internal wiring shall not be accessible to contact by the probe illustrated in Figure 6.1. The probe is to be applied with a force of 3 lbf (13.3 N). The probe is to be rotated, changed in configuration, or angled; before, during, and after application.

Exception: A device having exposed Class 2 output contacts or pins that may be contacted during normal operation or servicing need not be tested.

UL copyrighted material. Not authorized for further reproduction without prior permission from UL.

BSR/UL 8750, Standard for Light Emitting Diode (LED) Equipment For Use In Lighting Products

3. Special Use LED arrays

PROPOSAL

1.1.0 LED equipment covered by this standard are intended for ~~general illumination (task lighting) and operate~~ operation in the visible light spectrum between 400 - 700 nm.

Exception: Special Use LED arrays as described in Supplement SJ have intended applications other than general illumination and may operate outside of the visible light spectrum.

SUPPLEMENT SJ – SPECIAL USE LED ARRAYS

SJ1 Scope

SJ1.1 These requirements apply to ~~Special-use~~ LED arrays intended for integration into equipment for purposes other than general illumination, ~~such as for horticultural or germicidal applications.~~ A manufacturer may request evaluation to this supplement for LED arrays that fit the criteria described under definitions in SJ3.

6. Grounding and bonding

PROPOSAL

7.2A Grounding and bonding

7.2A.1 General

7.2A.1.1 ~~Metal~~ Enclosures intended for conduit connection shall be bonded to ground and shall comply with the bonding circuit impedance test of 8.21.

9. Markings & Product specification sheet

PROPOSAL

9.2.2 ~~An LED controllers or LED driver~~ shall be provided with markings (a) through (e). LED drivers shall be provided with markings (a) through (d):

- a) Environmental suitability (dry, damp, or wet location),
- b) Input supply limitations (e.g., Class 2 input only), if applicable,
- c) Input supply ratings: Voltage (V), Nature of supply (AC or DC; Constant Current or Constant Voltage), Frequency (if applicable), Current (A), and Power (W),

d) Output ratings: Voltage (V), Nature of supply (AC or DC; Constant Current or Constant Voltage), Frequency (if applicable), Current (A), and Power (W), and

e) Output load type(s) for LED controllers relay (~~e.g., LED array, LED driver, Light engine, AC transformer or equivalent~~).

UL copyrighted material. Not authorized for further reproduction without prior permission from UL.

BSR/UL 62841-3-4, Standard for Safety for Electric Motor-Operated Hand-Held Tools, Transportable Tools And Lawn And Garden Machinery - Safety - Part 3-4: Particular Requirements for Transportable Bench Grinders

1. Proposed Revisions To Clauses 1 And 2 And Addition of New Figure 106 To Align With Changes In IEC Amendment No. 1 For IEC 62841-3-4

1 Scope

This clause of Part 1 is applicable except as follows:

Addition:

This part of IEC 62841 applies to transportable bench grinders that can be equipped with one or two accessories as follows:

- type 1 grinding wheels (see Figure 106) ~~in accordance with ISO 603-4:1999~~ with a diameter not exceeding 310 mm and a thickness not exceeding 55 mm;
- wire brushes with a diameter not exceeding 310 mm and a thickness not exceeding 55 mm;
- polishing wheels with a diameter not exceeding 310 mm;

and with a peripheral speed of any **accessory** between 10 m/s and 50 m/s.

NOTE Polishing wheels are also known as buffing wheels.

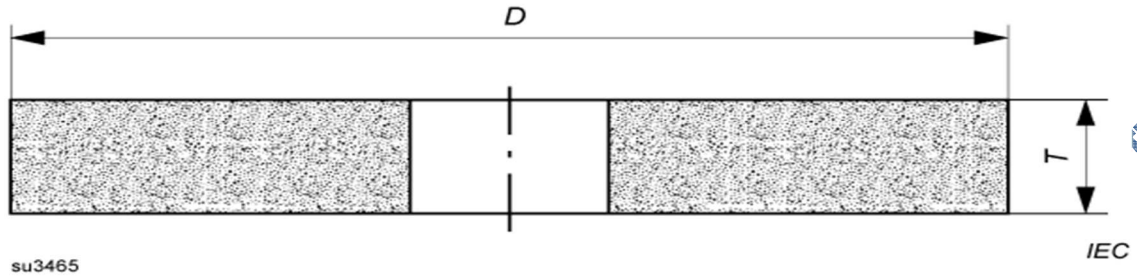
2 Normative references

This clause of Part 1 is applicable, except as follows:

Addition:

~~ISO 603-4:1999,~~
~~Bonded abrasive products - Dimensions - Part 4: Grinding wheels for surface grinding/peripheral grinding~~

Figure 106 - Type 1 grinding wheel



from UL

Key

D diameter

T thickness

UL copyrighted material. Not authorized for further reproduction witho

BSR/UL 62841-2-11, Standard for Safety for Electric Motor-Operated Hand-Held Tools, Transportable Tools And Lawn And Garden Machinery - Safety - Part 2-11: Particular Requirements for Hand-Held Reciprocating Saws

1. Proposed Revisions To Clauses 19, 20, And 21 To Align With Changes In IEC Amendment No. 1 Of IEC 62841-2-11

19 Mechanical hazards

This clause of Part 1 is applicable except as follows:

19.1 Replacement of the first paragraph:

Moving and dangerous parts other than the saw blade shall be so positioned or enclosed to provide adequate protection against personal injury. Requirements for the saw blade are given in 19.101.

19.6 This subclause is not applicable.

19.101 Saw blade barrier

1) For *jig* saws

A barrier shall be provided to prevent inadvertent contact with the cutting edge of the saw blade above the plane of the base plate and from the front of the tool. The barrier shall not prevent the visual observation of the saw blade in contact with the workpiece.

Compliance is checked by inspection and by the following test.

*The **jig saw** is set for the right-angled cut. The test probe of Figure 101 a) is advanced in any single plane perpendicular to the saw blade and parallel to and above the plane of the base plate as shown in Figure 101 b) and Figure 101 c). The longitudinal axis of the test probe shall be perpendicular to the toothed edge of the saw blade. The test probe shall be equally shared about the central plane of the saw blade. When the test probe is moved towards the saw blade, it shall not be able to touch its toothed edge.*

2) For other types of *reciprocating* saws

If a **reciprocating saw** is designed with a grip zone adjacent and behind the saw blade, a barrier shall be provided to prevent inadvertent contact with the teeth of the saw blade in any saw blade position in accordance with 8.14.2 b) 103).

The barrier shall:

- be located between the grip zone and the teeth of the saw blade;

- have a minimum height of 6 mm above the grip surface; and
- extend a minimum of 6 mm on either side of the teeth of the saw blade, see Figure 104.

A barrier is not required if the tool is supplied with an auxiliary front handle.

Compliance is checked by inspection and by measurement.

20 Mechanical strength

This clause of Part 1 is applicable.

20.5 Addition:

Reciprocating saws are regarded as tools that are likely to cut into concealed wiring or their own cord.

21 Construction

This clause of Part 1 is applicable except as follows:

21.18.1 Addition:

For **jig saws**, power switches other than momentary power switches are permitted.

21.18.1.2 This subclause is not applicable.

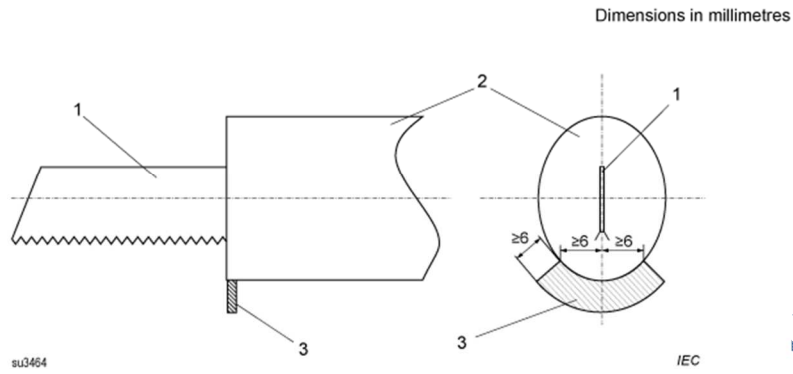
21.30 Addition:

Reciprocating saws are regarded as tools that are likely to cut into concealed wiring or their own cord.

21.35 This subcluse is not applicable.

UL copyrighted material. Not authorized for further reproduction without prior permission from UL.

Figure 104 - Minimum dimensions of barrier



Key

1 saw blade

2 grip surface

3 barrier

UL copyrighted material. Not authorized for further reproduction

permission from UL.